
Spare parts Catalogue
Year of construction 2006



Rapide

Precision Chop Loaderwagon

130E -135 -165 -205 -240 -360 -370



Schuitemaker

Schuitemaker Machines BV *Morsweg 18 *P.O. Box 219 * 7460 AE Rijssen - Holland
Tel: +31 (0)548 – 514125 Fax (spares): +31 (0)548 – 521386
spares@schuitemaker-machines.nl www.schuitemaker-machines.nl

Contents Rapide Casimiro / ROC 2006

Guidelines for ordering spare parts	3
1. Rotor intake with drive	5
2. Floor chain with drive Rapide 130E and 135	7
3. Floor chain with double drive	9
4. Towbar	11
5. Rotor Gearbox RL	13
6. Floor driving gear	15
7. Pick-up Suspension with drive (5-Rows) Rapide 130E	17
8. Pick-up Suspension with drive (6-Rows)	19
9. Pick-up (6-Rows) Spring suspension gear	21
10. Double runner wheel	23
11. 5-Rows Pick-up Rapide 130E	25
12. 6-Rows Pick-up	27
13. Chopping device DBA	29
14. Chopping device GMB	31
15. Feed roller	33
16. Hydraulic parking support	35
17. Tandemframe Spring assemble	37
18. Gigant spring assemblies	39
19. Wheel axles ADR (Type 1008 Brake 300×90) Rapide 130E-MLA	41
20. Wheel Axles Colaert Typ EUR 1110-408E (Brake 400×80) Rapide 135 bis 370	43
21. Wheel axles Colaert (Typ EUR 1110-412S) Rapide 165 bis 370	45
22. Self steering wheel axle Rapide 130E; 165; 205; 240	47
23. Steering Front axle Rapide 360 and 370	49
24. Steering Rear axle Rapide 360 and 370	51
25. Wheel axle Centre ATW Type 1510-4218S (Rem 420x180) (Rapide 360-WI)	53
26. Steering Front axle Rapide 360-WI	55
27. Steering Rear axle Rapide 360-WI	57
28. Front panel	59
29. Tailgate with Side boards	61

30. Hydraulic/Elektrical operation	63
31. MANIFOLDBLOCK TYPE S	65
32. Steel construction as windcover	67
33. Guide board on windcover	69
34. Gear box WG-1000 13>28 351.0084	71
35. Electrical circuit diagram 972.0004	72
36. Hydraulic system Rapide 130E	73
37. Hydraulic system Rapide 135	74
38. Hydraulic system Rapide 165; 205; 240	75
39. Hydraulic system Rapide 360 and 370	76
40. Hydraulic system Rapide GMB 974.3044	77
41. Hydraulic system Wheel steerage Rapide 360	78
42. Hydraulic system Wheel steerage Rapide 370	79

GUIDELINES FOR ORDERING SPARE PARTS

If you follow the rules stated below when ordering spare parts, you will be assured of a fast and correct delivery.

1. State the model, year of construction and serial number of your Rapide.
2. State both the full number of the part (if known) and the description.
3. State how the part needs to be despatched.
4. When ordering wheel axle parts, it is also advisable to state the wheel axle type. This can be found on the type plate of the wheel axle.

The numbers of the parts of the SCHUITEMAKER-wagons can be found in the first column below the heading *SR-no*. These can be ordered from:

SCHUITEMAKER Machines B.V. Rijssen – The Netherlands

P.O.Box 219 – 7460 AE Rijssen – The Netherlands

Tel: +31 548 514125

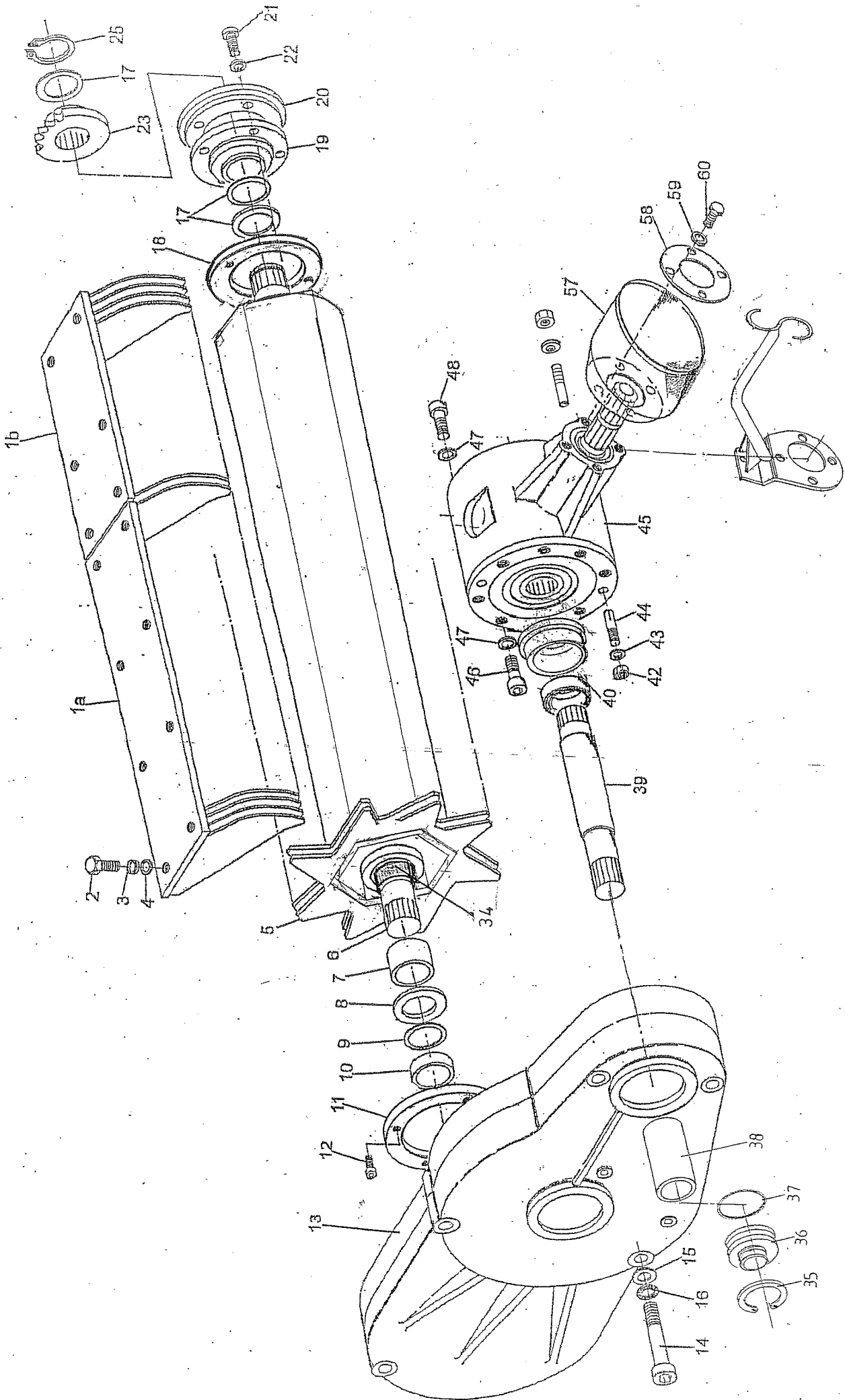
Fax: +31 548 516840

Spare Parts Dept :

Tel. +31 548 514125

Fax: +31 548 521386

e.mail bb@schuitemaker-machines.nl

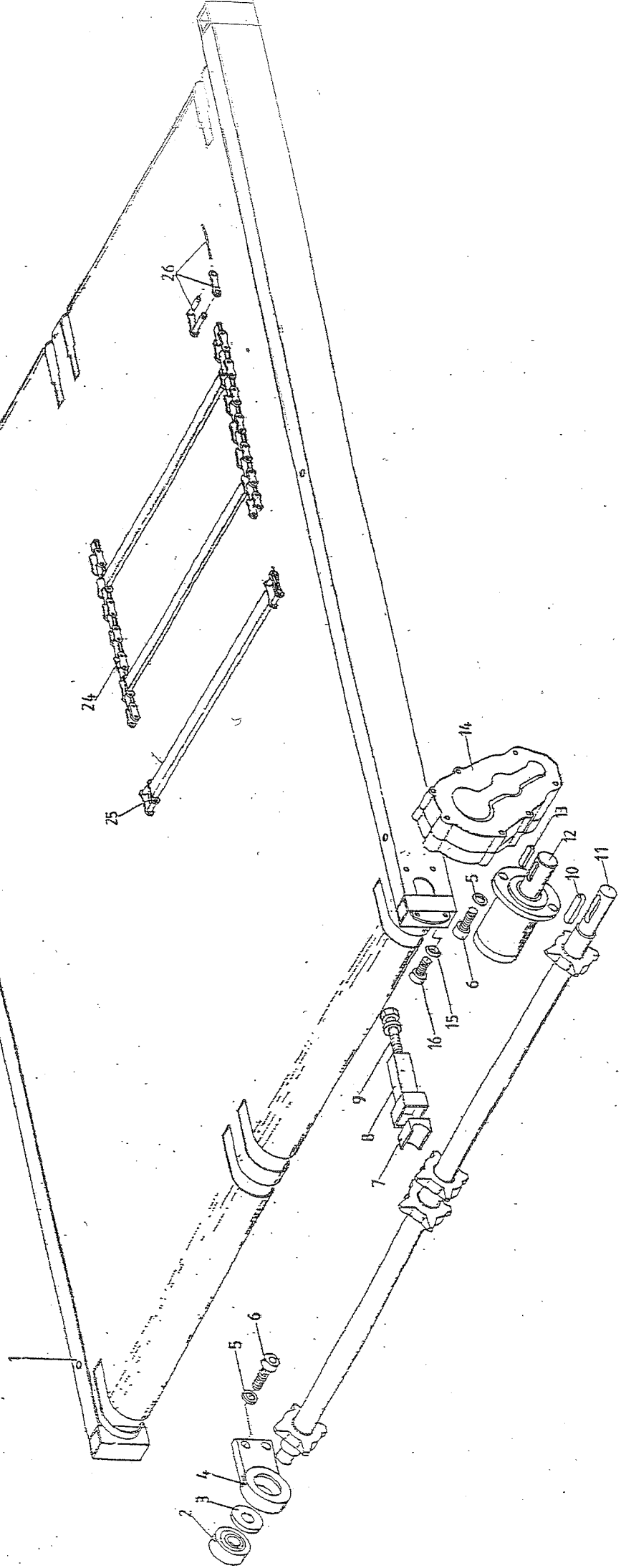
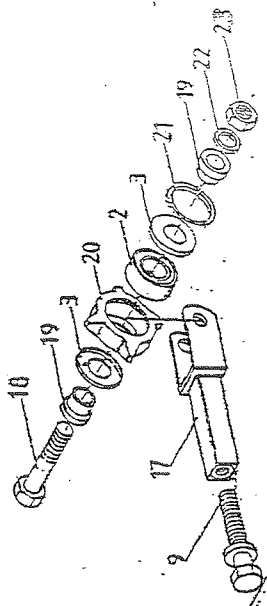


1. ROTOR INTAKE WITH DRIVE

1. ROTORINVOER MET AANDRIJVING

Drawing no. 975.0035

Fig.	SR-no.	Omschrijving	Description
A	354.2484	WWE 2480-EK64/22R 1650Nm 130E: 135	WWE 2480-EK64/22R 1650Nm 130E: 135
	354.2581	WWE 2580-EK64/22R 1650Nm 165 t/m 370	WWE 2580-EK64/22R 1650Nm 165 t/m 370
1a	961.0932	Afstrijkerlijst-27 lang (1x) Rap. 130E	Stripper frame-27 long (1x) Rap. 130E
	969.1377	Afstrijkerlijst-27 lang (1x) 135 t/m 370	Stripper frame-27 long (1x) 135 bis 370
1b	961.0933	Afstrijkerlijst-27 kort (1x) 130E	Stripper frame-27 short (1x) 130E
	961.0933	Afstrijkerlijst-27 kort (2x) 135; 165; 205	Stripper frame-27 short (2x) 135;165;205
	969.1378	Afstrijkerlijst-27 kort (2x) 240; 360; 370	Stripper frame-27 short (2x) 240;360;370
	937.0055	Afstrijker	Stripper
2	301.0803	Bout M12×20	Bolt M12×20
3	316.0902	Tandveerring J12	Toothed spring ring J12
4	316.0702	Sluitring A13	Washer A13
5	961.0931	Rotor 5T/6K-27 A72×66 Rap. 130E	Rotor 5T/6K-27 A72×66 Rap. 130E
	969.1381	Rotor 5T/6K-27 A72×66 135; 165; 205	Rotor 5T/6K-27 A72×66 135;165; 205
	969.1382	Rotor 5T/6K-27 A72×66 240; 360; 370	Rotor 5T-/K-27 A72x66 240; 360;370
6	921.0273	Rotoras B72×66 Rap.130E	Rotor shaft B72×66 Rap. 130E
	921.0524	Rotoras B72×66 Rap. 135;165; 205	Rotor shaft B72×66 135; 165; 205
	921.0571	Rotoras B72x66 Rap .240; 360;370	Rotor shaft B72x66 240; 360;370
7	402.0211	Glijlager N72100	Slide bearing N72100
8	403.0135	Loopschijf LS-75100	Counting disc LS-75100
9	349.0089	Vulschijf PS-75×95×1	Filler disc PS-75×95×1
	349.0090	Vulschijf PS-75×95×2	Filler disc PS-75×95×2
10	926.0336	Afstandbus 7228	Spacing sleeve 7228
11	969.1860	Afdichtring Re. 60/M8	Sealingring Re. 60/M8
12	302.0607	Cilinderkopbout M8×20	Cylinder head bolt M8×20
13	351.0082	Rotortandwielkast A72×66 R1 (zie blz. 13)	Rotor gearbox A72×66 R1 (Page 13)
14	302.0637	Cilinderkopbout M16×160	Cylinder head bolt M16×160
	302.0639	Cilinderkopbout M16×200	Cylinder head bolt M16×200
15	316.0707	Sluitring A17	Plain washher A17
16	316.0919	Tandveerring J16,5	Toothed spring ring J16,5
17	349.0044	Vulschijf 60×75×1	Filler disc 60×75×1
	349.0047	Vulschijf 60×75×2	Filler disc 60×75×2
18	969.1861	Afdichtring Li. 60/M16	Sealing ring Li. 60/M16
19	900.0132	Kogellager RME 60/192	Ball bearing RME 60/192
20	936.0809	Eindflens 60	End flange 60
21	301.0836	Bout M16×45	Bolt M16×45
22	316.0915	Borgring NL-16 Nord-lock	Lockingring NL-16 Nord-lock
23	953.0672	Kettingwiel 1"21 met breekbout	Chainsprocket 1"21 shearing bolt
	900.0311	Breekbout M12×55	Shearing bolt M12×55
25	313.0212	Borgring A-60	Locking ring A-60
34	926.0848	Steunring	Supporting ring
35	313.0210	Borgring I-52	Locking ring I-52
36	456.1007	Deksel	Cover
37	365.0017	O-ring 48x2	O-ring 48x2
38	456.1008	Afstandbus	Bush
39	456.0186	Rotor-drijfjas B50x45/175 Rap. 130E	Rotor drive shaft B50x45/175 Rap. 130E
	456.0190	Rotor-drijfjas B50x45/175 Rap. 135; 165; 205	Rotor drive shaft B50x45/175 135; 165; 205
	456.0192	Rotor-drijfjas B50x45/200 Rap. 240; 360; 370	Rotor drive shaft B50x45/200 240; 360; 370
40	401.0208	Kogellager 6209-2RS	Ball bearing 6209-2RS
42	306.0704	Moer M12	Nut M12
43	316.0702	Sluitring A13	Washer A13
44	456.0098	Paspen 12M6×57	Dowel 12M6×57
45	351.0084	Tandwielkast WG 13>28 R1	Gear box WG 13>28 R1
46	302.0640	Cilinderkopbout M16×50	Cylinder head bolt M16x50
47	316.0919	Veerring 16mm	Spring washer 16mm
48	302.0623	Cilinderkopbout M16×40	Cylinder head bolt M16×40
49	456.0018	Paspen 12M6x47	Dowel 12M6x47
57	900.0116	Beschermtrichter	Protective cover
58	934.0136	Versterkingsring	Reinforcing ring
59	316.0906	Veerring 10mm	Spring ring 10mm
60	301.0805	Bout M10x25	Bolt M10x25
61	961.0264	Slanghouder	Hose reels

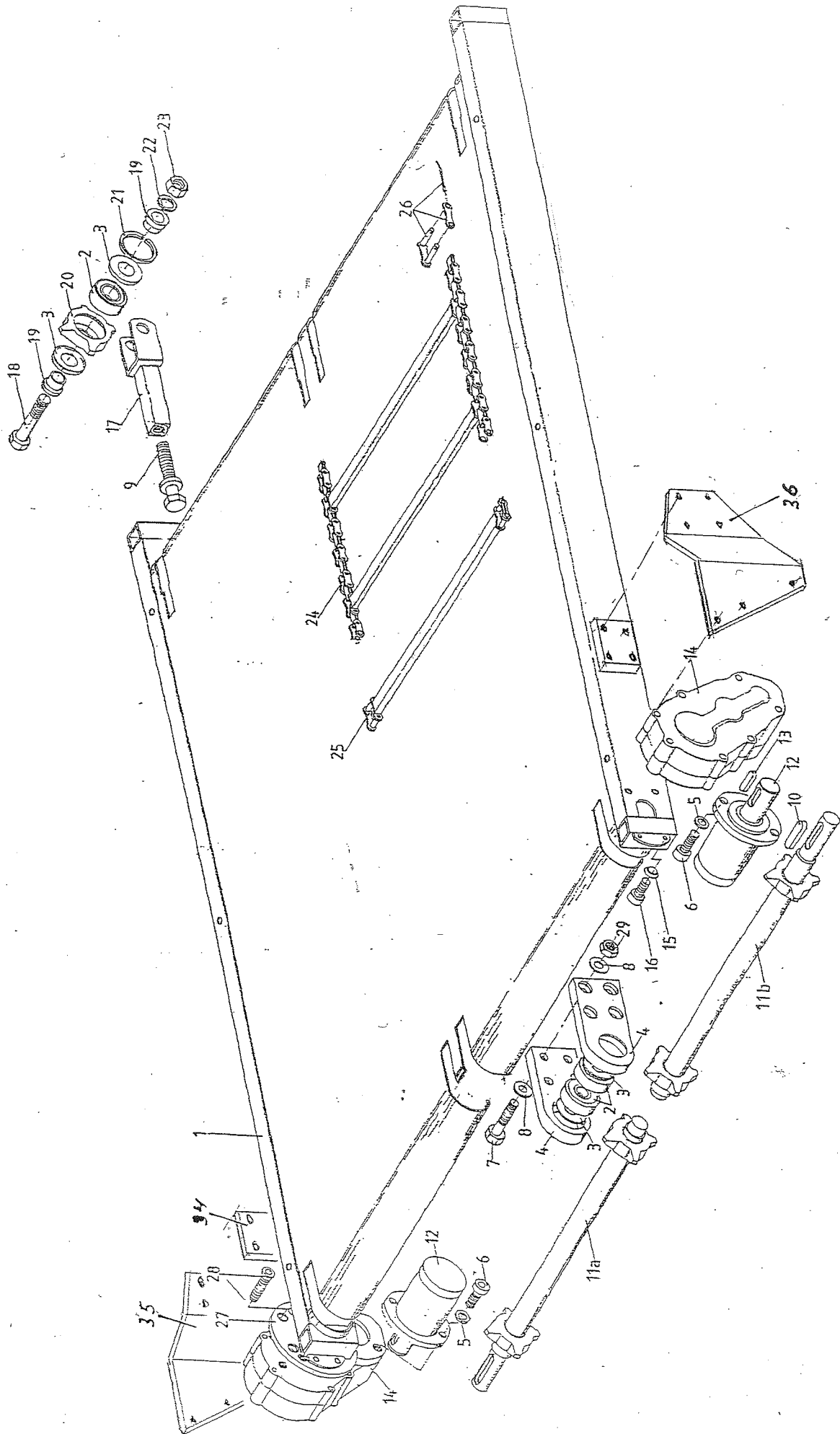


2. FLOOR CHAIN WITH DRIVE RAPIDE 130E AND 135

2. Bodemketting met aandrijving Rapide 130E en 135

Drawing no. : 975.0019

<i>Fig.</i>	<i>SR-no.</i>	<i>Omschrijving</i>	<i>Description</i>
2	401.0107	Kogellager 6306-2RS	Ball bearing 6306-2RS
3	361.0119	Nilosring 6306-AV	Nilos ring 6306-AV
4	941.0042	Glandlagerhuis	Gland bearing housing
5	316.0904	Veerring 12 mm	Spring ring 12 mm
6	302.0615	Cilinderkopbout M12×35	Cylinder head bolt M12×35
7	402.0165	Steunlagerblok 50	Suspension bearing block 50
8	966.0001	Steunlagerhuis	Suspension bearing housing
9	303.0958	Spanbout M16	Tensioning bolt M16
10	315.0121	Spie 14×9×80	Feather key 14×9×80
11	968.0361	Transportkettingas	Transport chain pinion axle
12	355.0510	Hydromotor OMP-125	Hydro Motor OMP-125
13	315.0103	Spie 8×7×30	Feather key 8×7×30
14	351.0024	Zijkast Ø45 (zie blz. 19)	Side box Ø45 (Page 19)
15	316.0917	Bolle veerring C12,5	Spring ring C12,5
16	302.0630	Cilinderkopbout M12×25	Cylinder head bolt M12×25
17	967.0581	Kettingspanner M16	Chain tensioner M16
18	301.0745	Bout M16×70	Bolt M16×70
19	925.0481	Klembus	Clamping bush
20	942.0029	Kettingspanwiel	Chain sprocket
21	313.0401	Seegersprengring SB72	Seeger circlip SB72
22	316.0901	Veerring 16 mm	Spring ring 16 mm
23	306.0702	Moer M16	Nut M16
24	969.1321	Bodemketting (2x) Rap. 130E	Floor chain (2x) Rap. 130E
	960.0945	Bodemketting (2x) Rap. 135	Floor chain (2x) Rap. 135
	969.2634	Bodemketting (2x) Rap. 135	Floor chain (2x) Rap. 135
25	966.0069	Kettingstaaf 22/2-12 Rap. 130E	Chain rod 22/2-12 Rap. 130E
	960.0694	Kettingstaaf 22/2-14 Rap. 135	Chain rod 22/2-14 Rap. 135
26	431.0122	Verbindingsschalm 100/7-12 Rap. 130E	Joining link 100/7-12 Rap. 130E
	461.0153	Verbindingsschalm 100/8-14K Rap. 135	Joining link 100/8-14K Rap. 135
28	937.1140	Steunplaat Re.	Supporting plate Re.

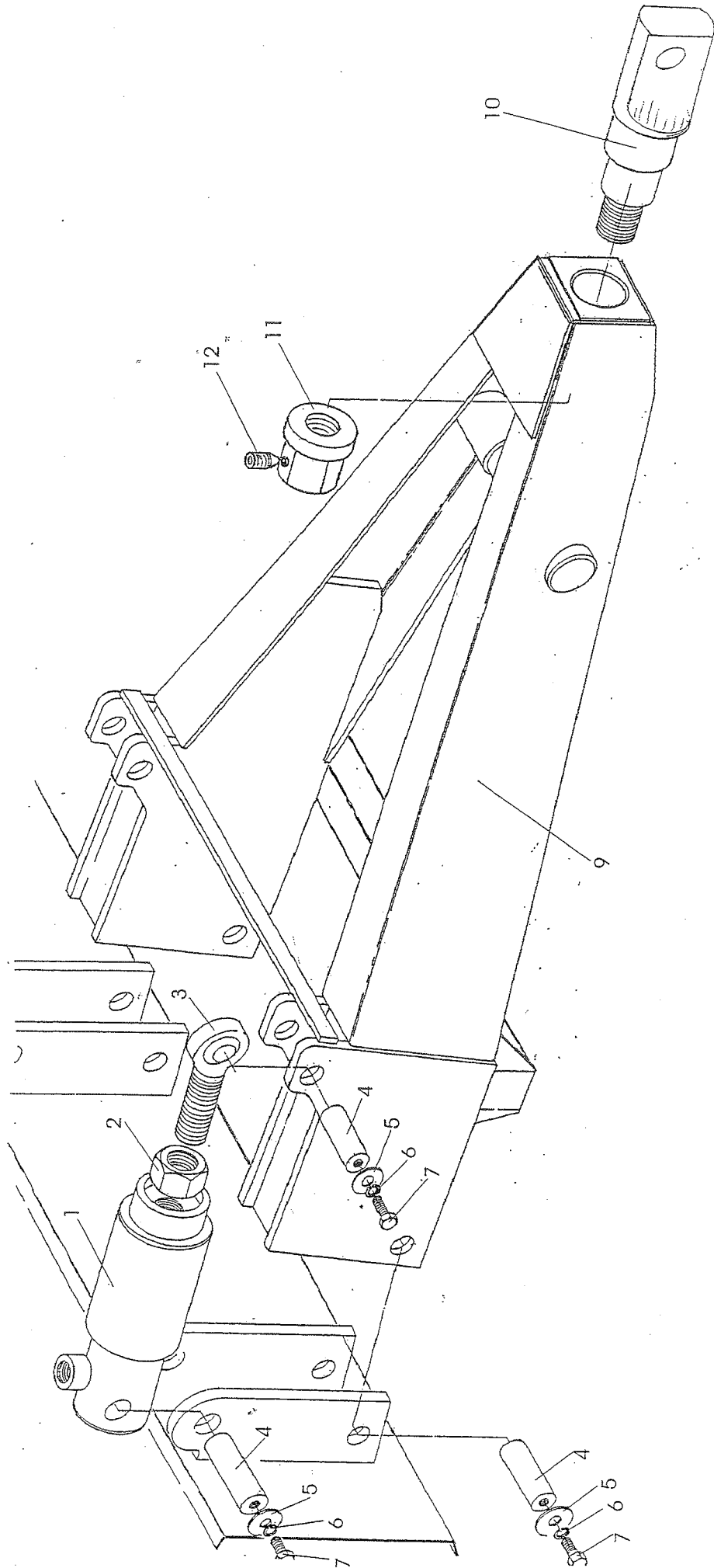


3. FLOOR CHAIN WITH DOUBLE DRIVE

3. BODEMKETTING MET DUBBELE AANDRIJVING

Drawing no. : 975.0020

Fig.	SR-no.	Omschrijving	Description
2	401.0108	Kogellager 6208 - 2RS	Ball bearing 6208 - 2RS
4	377.0306	Lagerplaat 6208	Bearing plate
5	316.0904	Veerring 12 mm	Spring washer 12 mm
6	302.0615	Cilinderkopbout M12x35	Cylinder head bolt M12x35
7	302.0643	Cilinderkopbout M12x55	Cylinder head bolt M12x55
8	316.0702	Sluistring A13	Washer A13
9	303.0973	Spanbout M20	Tension bolt M20
10	315.0121	Spie 14x9x80	Feather key 14x9x80
11a	969.3374	Transportkettingas 4T Li. Rap. 165	Transport chain axle 4T left Rap. 165
	969.3380	Transportkettingas 5T Li. Rap. 205; 360	Transport chain axle 5T left Rap. 205; 360
	969.3378	Transportkettingas 5T Li. Rap. 240; 370	Transport chain axle 5T left Rap. 240; 370
11b	969.3375	Transportkettingas 4T Re. Rap. 165	Transport chain axle 4T right Rap. 165
	969.3381	Transportkettingas 5T Re. Rap. 205; 360	Transport chain axle 5T right Rap. 205; 360
	969.3379	Transportkettingas 5T Re. Rap. 240; 370	Transport chain axle 5T right Rap. 240; 370
12	355.0037	Hydromotor OMP-200	Hydro Motor OMP-200
13	315.0103	Spie 8x7x30	Key 8x7x30
14	351.0024	Zijkast Ø45 (zie blz.15)	Side box Ø45 (Page 15)
15	316.0917	Bolle veerring C12,5	Spring washer C12,5
16	302.0630	Cilinderkopbout M12x25	Cylinder head bolt M12x25
17	969.1149	Kettingspanner 4T Rap. 165	Chain tensioner 4T Rap. 165
	969.1372	Kettingspanner 5T Rap. 205; 240; 360; 370	Chain tensioner 5T Rap. 205; 240; 360; 370
18	301.0745	Bout M16x70	Bolt M16x70
19	925.0481	Klembus	Clamping bush
20	942.0029	Kettingspanwiel 4T Rap. 165	Chain sprocket 4T Rap. 165
	258.0029	Kettingspanwiel 5T Rap. 205; 240; 360; 370	Chain sprocket 5T Rap. 205; 240; 360; 370
21	313.0401	Seegersprengring SB72	Seeger circlip SB72
22	316.0901	Veerring 16 mm	Spring washer 16 mm
23	306.0702	Moer M16	Nut M16
24	961.0374	Bodemketting 1000/7,18 (2x) Rap. 165	Floor chain 1000/7,18 (2x) Rap. 165
	969.2634	Bodemketting 1000/5,43 (2x) Rap. 165	Floor chain 1000/5,43 (2x) Rap. 165
	969.3021	Bodemketting 1000/5,02 (6x) Rap. 205	Floor chain 1000/5,02 (6x) Rap. 205
	969.3023	Bodemketting 1100/5,02 (6x) Rap. 240	Floor chain 1100/5,02 (6x) Rap. 240
	960.0999	Bodemketting 1000/5,12 (2x) Rap. 360	Floor chain 1000/5,12 (2x) Rap. 360
	969.2634	Bodemketting 1000/5,43 (4x) Rap. 360	Floor chain 1000/5,43 (4x) Rap. 360
	961.0540	Bodemketting 1100/5,43 (2x) Rap. 370	Floor chain 1100/5,43 (2x) Rap. 370
	969.3025	Bodemketting 1100/5,54 (4x) Rap. 370	Floor chain 1100/5,54 (4x) Rap. 370
25	960.0694	Kettingstaaf 1000 Rap. 165; 205; 360	Chain rod 1000 Rap. 165; 205; 360
	961.0233	Kettingstaaf 1100 Rap. 240; 370	Chain rod 1100 Rap. 240; 370
26	431.0153	Verbindingsschalm	Joining link
27	933.0978	Bevestigingsschijf	Mounting disc
28	303.0932	Verz. bout M12x25	Bolt M12x25
29	306.0302	Borgmoer M12	Locking nut M12
34	913.1240	Tussenplaat	Plate
35	937.1139	Steunplaat Li.	Supporting plate Li.
36	937.1140	Steunplaat Re.	Supporting plate Re.

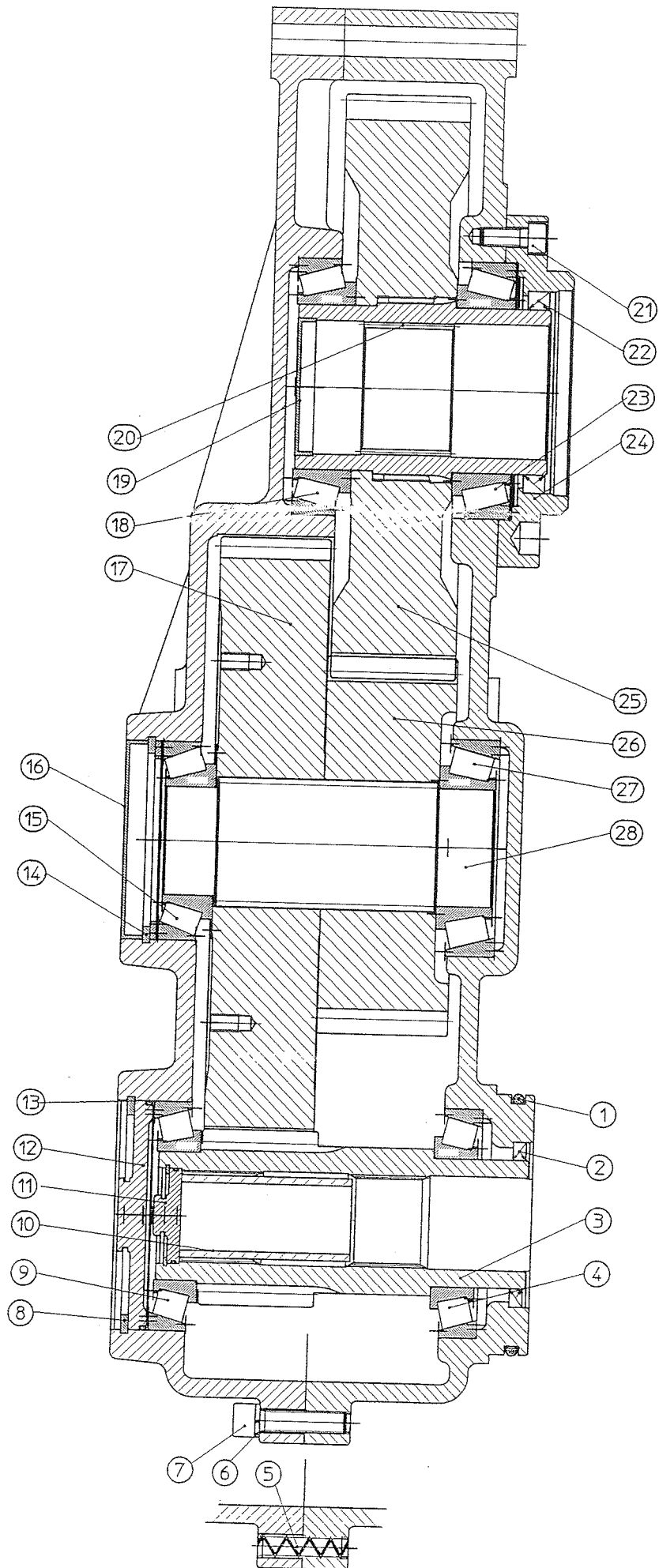


4. Towbar

4. TREKKOP

Drawing no. 975.0034

<i>Fig.</i>	<i>SR-no.</i>	<i>Omschrijving</i>	<i>Description</i>
1	355.0773	Hydr. cilinder 90/265 Rap.130E;135;165;205	Hydr. cylinder 90/265 Rap.130E;135;165;205
	355.0768	Hydr. cilinder 100/275 Rap. 240; 360; 370	Hydr. cylinder 100/275 Rap. 240; 360; 370
1a	454.0808	Set afdichtingen voor 355.0773	Set of seals for 355.0773
	454.0809	Set afdichtingen voor 355.0768	Set of seals for 355.0768
2	306.0716	Moer M39x3	Nut M39x3
3	401.0222	Stangkop GAR-40	Rod end GAR-40
4	920.0753	Scharnierpen-30	Pivoting pin-30
5	937.1740	Sluitring 11/41-6	Washer 11/41-6
6	316.0906	Veerring 10mm	Spring washer 10 mm
7	301.0805	Bout M10x25	Bolt M10xH25
8	921.0077	Scharnieras-40	Hinge pin-40
9	969.3370	Trekkop-E	Tow bar-E
	969.2113	Trekkop voor weeg-unit	Tow bar for weigh-unit
10	921.0783	Draaibaar trekoog	Revolving drawing eye
	921.0646	Draaibaar trekoog voor weeg-unit	Revolving drawing eye for weigh-unit
	921.0734	Bus voor trekoog weeg-unit	Bush for drawing eye weigh-unit
	352.0046	Weegstaaf CELL-3.5 DB	Load-cell CELL-3.5 DB
11	306.0723	Kroonmoer M60x2	Castel nut M60x2
11a	926.0994	Ring 61	Ring 61
12	375..0127	Splitpen 10x100	Splint 10x100

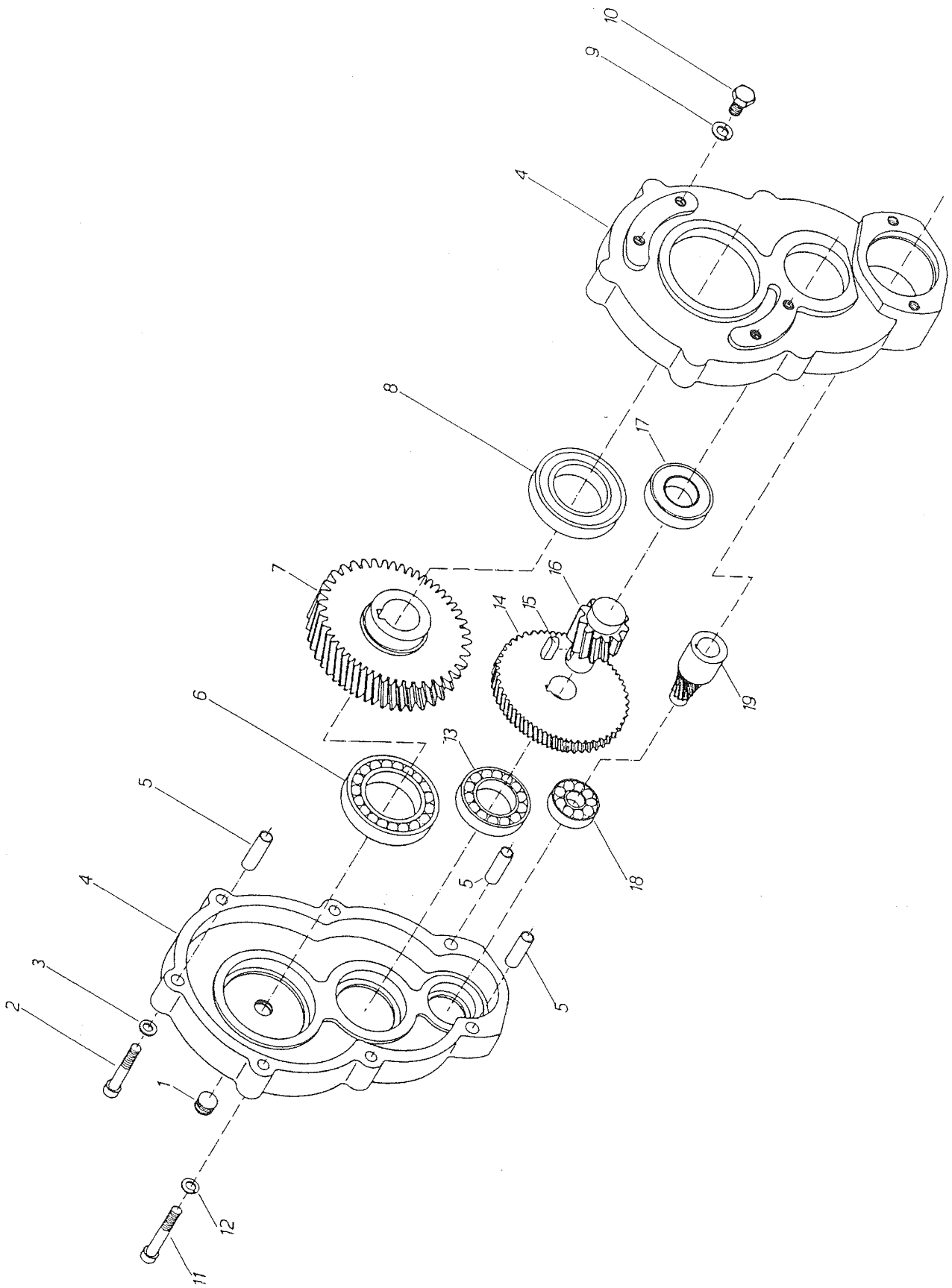


5. ROTOR GEARBOX RL

5. ROTOR TANDWIELKAST RL

Artikle no. : 351.0082

<i>Fig.</i>	<i>SR-no.</i>	<i>Omschrijving</i>	<i>Description</i>
-	351.0082	Rotortandwielkast A72-RL	Rotor gearbox A72-RL
1	365.0019	O-Ring 130x6	O-Ring 130x6
2	361.0138	Oliekeerring 70x90x7	Oil catcher 70x90x7
3	456.1001	Rondselas	Pinion
4	401.0197	Kegellager 30214	Cone bearing 30214
5	312.0125	Spanstift 12x50	Clamping sleeve 12x50
6	316.0904	Veerring 12mm	Spring washer 12mm
7	302.0641	Cilinderkopbout M12x50	Cylinder head bolt M12x50
8	313.0218	Binnenborgring I-125	Locking ring I-125
9	401.0197	Kegellager 30214	Cone bearing 30214
10	456.1008	Afstandbus	Buch
11	456.1007	Deksel	Cover
12	456.1006	Dichtschiif	Disc
13	365.0018	O-Ring 120x3	O-Ring 120x3
14	313.0216	Binnenborgring I-110	Locking ring I-110
15	401.0145	Kegellager 32212	Cone bearing 32212
16	349.0098	Deksel 110x12	Cover 110x12
17	456.1002	Tandwiel	Gear wheel
18	401.0197	Kegellager 30214	Cone bearing 30214
19	349.0092	Delsel 75x10	Cover 75x10
20	456.1011	Naafbus met splines A72x66	Nave bush with splines A72x66
21	302.0601	Cilinderkopbout M10x25	Cylinder head bolt M10x25
22	361.0144	Oliekeerring 90x110-12	Oil catcher 90x110-12
23	401.0149	Kegellager 32018	Cone bearing 32018
25	456.1005	Tandwiel met splines	Gear wheel with splines
26	456.1004	Tandwiel	Gear wheel
27	401.0195	Kegellager 32213	Cone bearing 32213
28	456.1003	Profielas	Shaft with splines

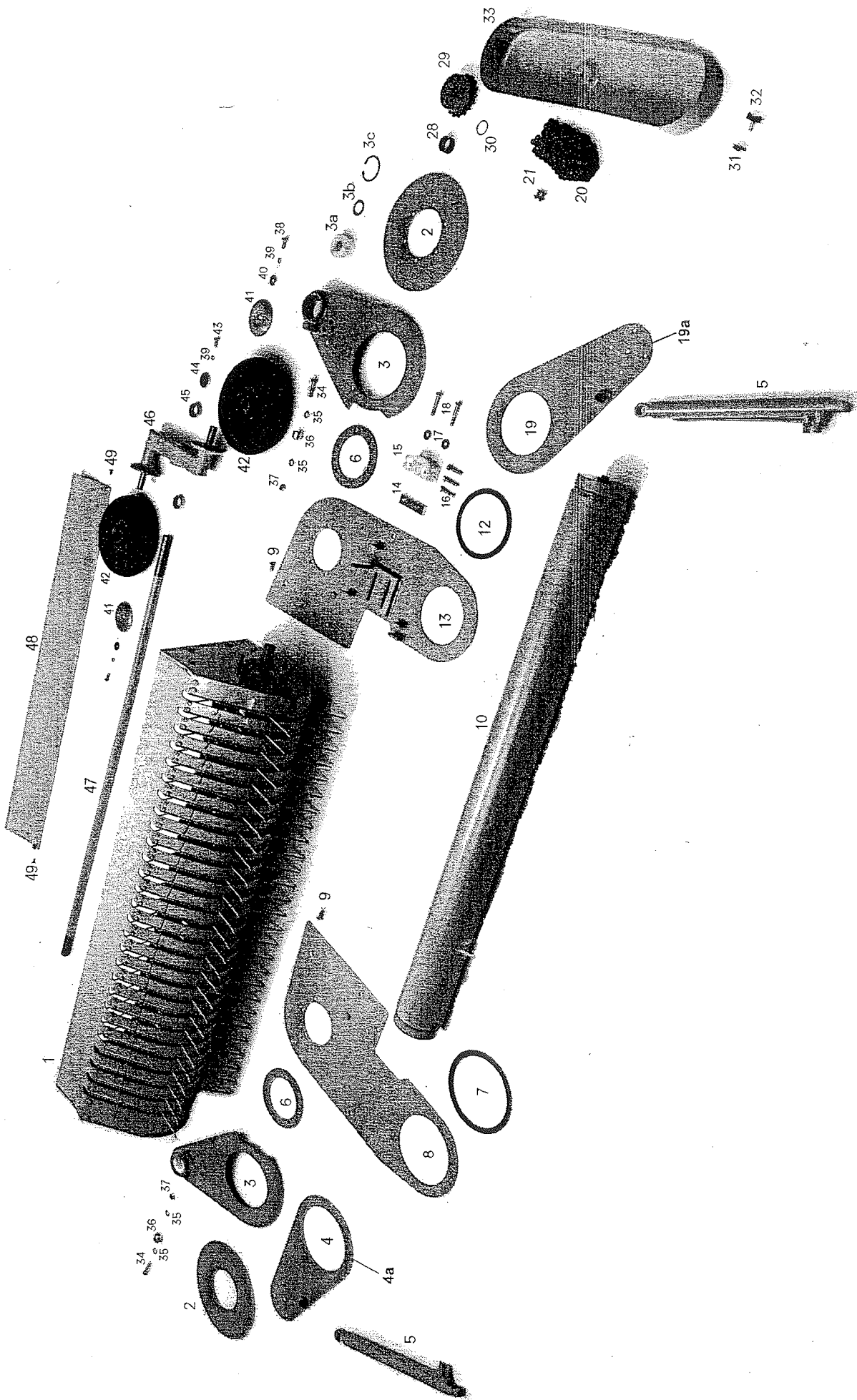


6. FLOOR DRIVING GEAR.

6. BODEM-AANDRIJFKAST

Artikcle no. : 351.0024

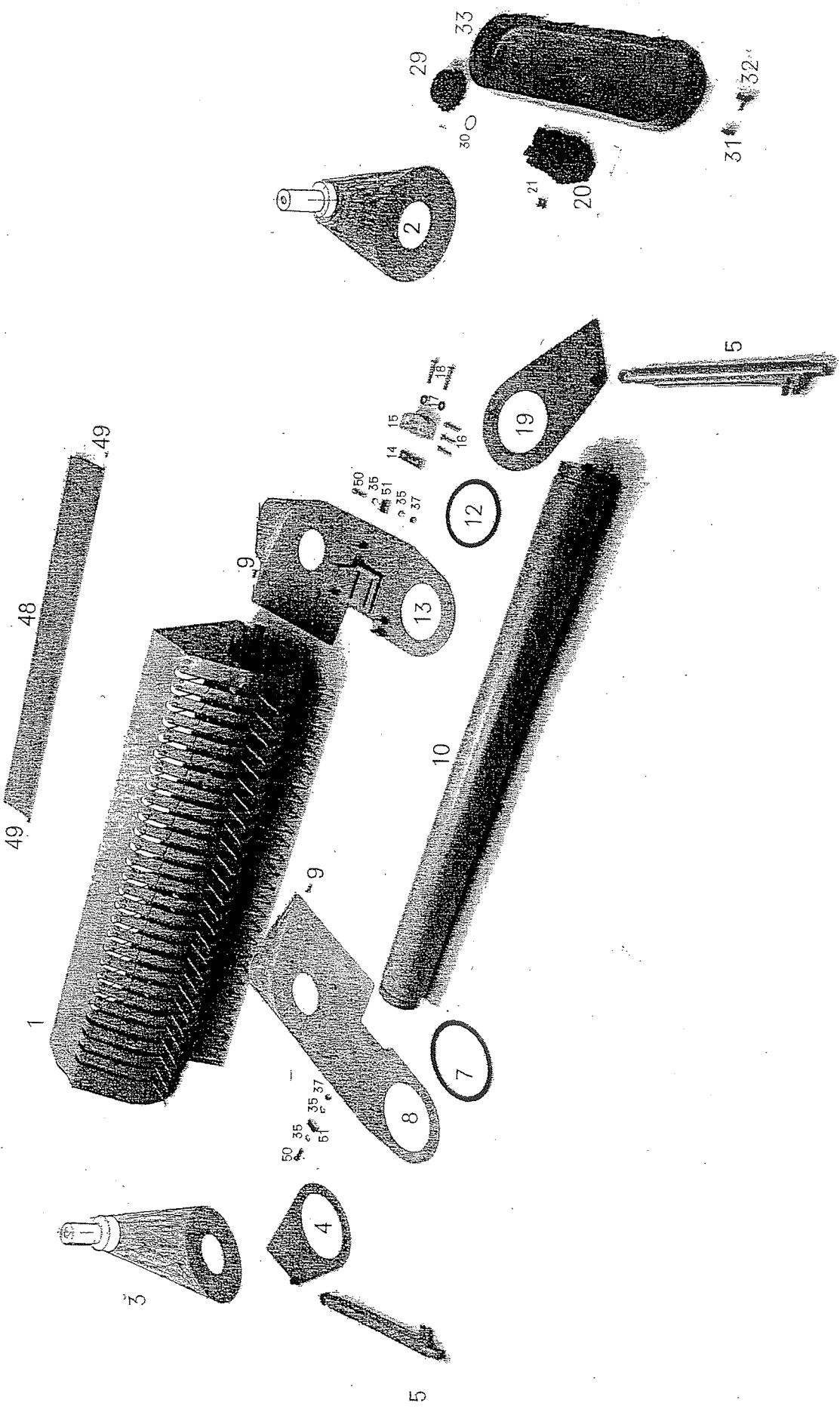
<i>Fig.</i>	<i>SR-no.</i>	<i>Omschrijving</i>	<i>Description</i>
1	381.0111	Draadstop M20x1,5	Screw plug M20x1,5
2	302.0013	Cilinderbout M10x65	Cylinder head bolt M10x65
3	316.0906	Veerring 10 mm	Spring washer 10mm
4	450.0766	Tandwielkast (2-delig)	Gear case (2-parts)
5	312.0127	Spanhuls 13x50	Clamping sleeve 13x50
6	401.0176	Kogellager 6013	Ball bearing 6013
7	456.0043	Tandwiel met gat Ø45 Z=45	Gear wheel with hole Ø45 Z=45
8	401.0177	Kogellager 6013-2RS	Ball bearing 6013-2RS
9	316.0917	Bolle veerring C12,5mm	Spring washer C12,5mm
10	301.0807	Bout M12x25	Bolt M12x25
11	302.0613	Cilinderkopbout M10x70	Cylinder head bolt M10x70
12	316.0705	Sluitring A10,5	Washer A10,5
13	401.0118	Kogellager 6009	Ball bearing 6009
14	450.0765	Tandwiel Z=59 (incl. 15 en 16)	Gear wheel Z=59 (incl. 15 and 16)
15		Inlegspie 8x7x30	Key 8x7x30
16		Tandronsel Z=11	Pinion Z=11
17	401.0175	Kogellager 6207-2RS	Ball bearing 6207-2RS
18	451.0031	Kogellager 6304	Ball bearing 6304
19	450.0767	Tandas Z=12	Pinion Z=12



7. PICK-UP SUSPENSION WITH DRIVE (5-ROWS) RAPIDE 130E

7. PICK-UP OPHANGING MET AANDRIJVING (5-BALKS) RAPIDE 130E

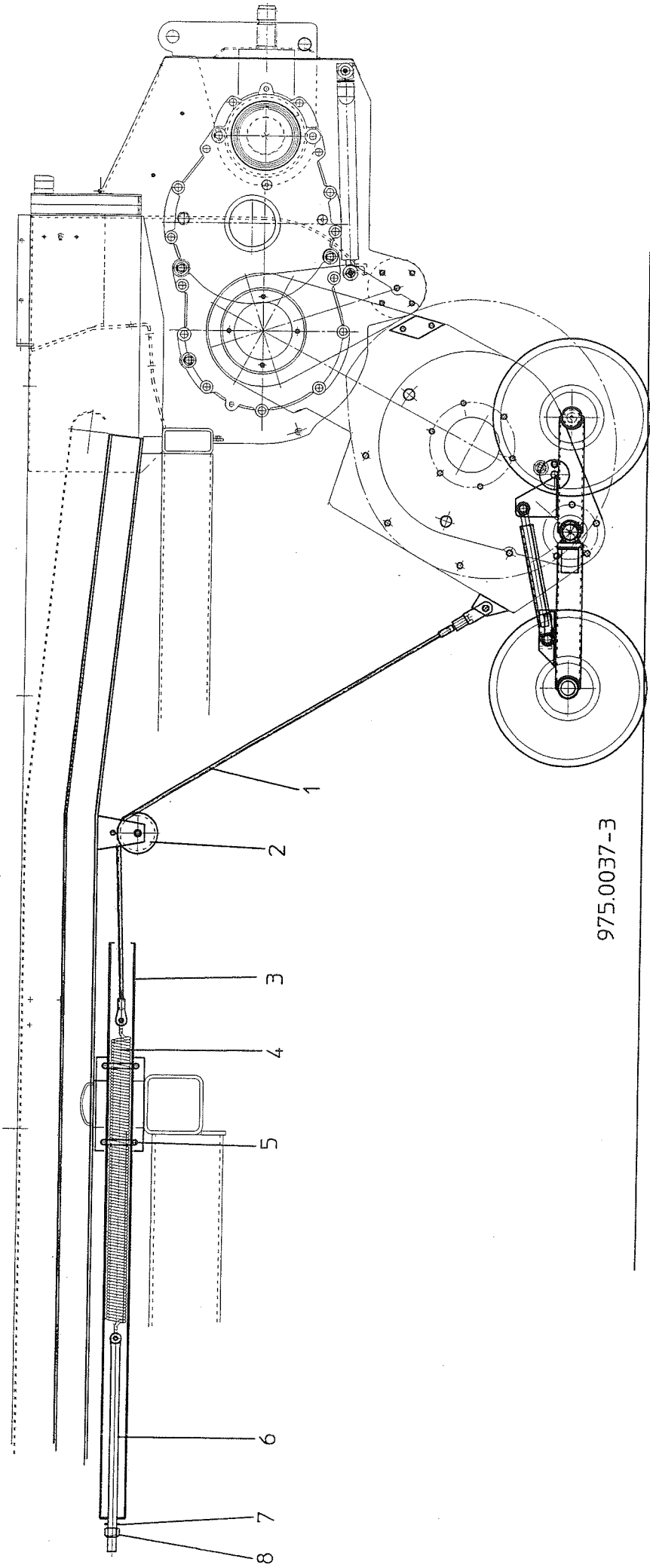
<i>Fig.</i>	<i>SR-no.</i>	<i>Omschrijving</i>	<i>Description</i>
1	433.0108	5-Balks Pick-up compleet	Pick-up, 5 rows complete
2	935.0425	Buitenschijf	Outer disc
3	968.0731	Loopwielplaat	Runner wheel plate
3a	402.0203	Glijlager N3536	Slide bearing N3536
3b	403.0129	Axiaalschijf AS 3552	Axial disc AS 3552
3c	313.0215	Binnenborgring I-68	Locking ring I-68
4	961.0527	Rolplaat rechts	Roller plate right
5	355.0792	Hydraulische cilinder (incl. 5a en b)	Hydr. Cylinder (incl. 5a and b)
5a	402.0128	Glijlager 20/20	Slide bearing 20/20
5b	454.0810	Set afdichtingen t.b.v. 5	Set of seals for 5
6	934.0073	Binnenschijf	Inner disc
7	402.0208	U-glijlager 192	U-slide bearing 192
8	968.0444	Pick-up plaat 60-re.	Pick-up plate 60-right
9	303.0948	Pl. verzonken bout M10x30	Countersunk bolt M10x30
10		Invoerrol (zie blz. 33)	Feed roller (See page 33)
11	900.0132	Flenslager RME 60/192	Flange bearing RME 60/192
12	402.0208	U-Glijlager 192	U-slide bearing 192
13	961.0525	Pick-up plaat 60-li.	Pick-up plate 60-left
14	912.0671	Spanstrip TB-10	Tensioning strip TB-10
14a	302.0935	Spanbout M10x140	Tension bolt M10x140
15	353.0202	Spanblok 50	Tension block 50
17	316.0719	Sluitplaat 10,5mm	Ring 10,5 mm
18	301.0726	Bout M10x60	Bolt M10x60
19	961.0526	Rolplaat links	Roller plate left
20	356.0128	Ketting ¾" - 77	Chain ¾" - 73
21	356.0129	Verbindingsschakel ¾"	Joining link ¾"
22	936.0809	Eindflens 60/8	End flange 60/8
24	953.0673	Kettingwiel ¾"-26 met breekbout	Chain wheel ¾"-26 with shearing bolt
24a	900.0211	Breekbout M12x622	Shearing bolt M12x62
25	313.0121	Buitenborgring A-60	Locking ring A-60
28	926.0164	Ring-27	Ring-27
29	353.0350	Kettingwiel ¾"-19/35	Chain wheel ¾"-19/35
30	313.0105	Buitenborgring A-35	Locking ring A-35
31	306.0359	Plaatmoer M8 zelfborgend	Self-locking plate nut M8
32	301.0801	Bout M8x16	Bolt M8x16
32a	316.0722	Sluitplaat 8,4mm	Washer 8,4mm
33	375.0501	Beschermkap	Protective cover
34	301.0715	Bout M12x45	Bolt M12x45
35	316.0702	Sluitring A13	Washer A13
36	921.0024	Aanslagnok	Stop boss
37	306.0302	Borgmoer M12	Locking nut M12
38	301.0809	Bout M10x20	Bolt M10x20
39	316.0906	Veerring 10mm	Spring washer 10 mm
40	316.0715	Sluitring R11	Washer R11
41	934.0474	Afdekkapje buiten	Guard, outer
42	432.0790	Wiel 4.00x4-6 Pr.	Wheel 4.00x4-6 Pr.
43	301.0811	Bout M10x30	Bolt M10x30
44	934.0149	Sluitring 50/11-8	Washer 50/11-8
45	402.0141	Glijlager 35/20	Slide bearing 35/20
46	967.0432	Loopwielenarm	Runner wheel arm
47	920.0839	Loopwielenas	Runner wheel shaft
48	968.0343	Achterplaat 160	Back plate 160
49	303.0902	Pl.verzonken bout M8x20-Torx	Countersunk bolt M8x20-Torx



8. PICK-UP SUSPENSION WITH DRIVE (6-ROWS)

8. PICK-UP OPHANGING MET AANDRIJVING (6-BALKS)

<i>Fig.</i>	<i>SR-no.</i>	<i>Omschrijving</i>	<i>Description</i>
1	969.2385	6-Balks Pick-up cpl. Rap. 135; 165; 205	Pick-up, 6 rows, cpl. Rap. 135; 165; 205
	969.2451	6-Balks Pick-up cpl. Rap. 240; 360; 370	Pick-up, 6 rows, cpl. Rap. 240; 360; 370
2	969.1272	Buitenplaat Li.	Outer plate left
	969.1273	Buitenplaat Re.	Outer plate right
4	969.1328	Pick-up hefplaat Re.	Pick-up lifting plate right
5	355.3006	Hydraulische cilinder (incl. 5a en b)	Hydr. cylinder (incl. 5a and b)
5a	402.0151	Glijlager 20/30	Slide bearing 20/30
5b	454.0812	Set afdichtingen t.b.v. 5	Set of seals for 5
7	402.0208	U-glijlager 192	U-Slide bearing 192
8	969.1142	Pick-up plaat R8/P6 Re. Rap. 135; 165; 205	Pick-up plate R8/P6 right Rap. 135;165;205
	961.0531	Pick-up plaat R8/P6 Re. Rap. 240; 360; 370	Pick-up plate R8/P6 right Rap. 240;360;370
9	303.0948	Pl. verzonken bout M10x30	Countersunk bolt M10xH30
10		Invoerrol Ø140 (zie blz. 33)	Feed roller Ø140 (See page 33)
11	900.0132	Flenslager RME 60/192	Flange bearing RME 50/162
12	402.0208	U-Glijlager 192	U-Slide bearing 192
13	961.0530	Pick-up plaat R8/P6 Li.	Pick-up plate R8/P6 left
14	912.0671	Spanstrip TB-10	Tensioning strip TB-10
14a	302.0935	Spanbout M10x140	Tension bolt M10x140
15	353.0204	Spanblok-65	Tension block-65
17	316.0719	Sluitplaat 10,5mm	Washer 10,5 mm
18	301.0752	Bout M10x75	Bolt M10x75
19	969.1327	Pick-up hefplaat Li.	Pick-up lifting plate, left
20	356.0192	Ketting 1"-63	Chain 1"-63
21	356.0144	Verloopschalm 1"	Adapter link 1"
	356.0143	Verbindingsschakel 1"	Joining link 1"
22	936.0809	Eindflens 60	End flange 60
24	953.0672	Kettingwiel 1"-21 met breekbout	Chain wheel 1"-21 with shearing bolt
24a	900.0311	Breekbout M12x55	Shearing bolt M12x55
25	313.0121	Buitenborgring A-60	Locking ring A-60
29	953.0689	Kettingwiel 1"-18 met vrijloop	Chain wheel 1"-18, with freewheel device
30	921.0279	Eindschijf	End disc
30a	403.0121	Schijf AS-3047	Disc AS-3047
30b	303.0932	Verz. Bout M12x25	Countersunk bolt M12x25
31	306.0359	Plaatmoer M8 zelfborgend	Self-locking nut M8
32	301.0801	Bout M8x16	Bolt M8x16
32a	316.0722	Sluitplaat 8,4mm	Washer 8,4mm
33	375.0513	Beschermkap	Protective cover
34	301.0715	Bout M12x45	Bolt M12x45
35	316.0702	Sluitring A13	Washer A13
37	306.0302	Borgmoer M12	Locking nut M12
38	301.0809	Bout M10x20	Bolt M10x20
39	316.0906	Veerring 10mm	Spring washer 10mm
40	316.0715	Sluitring R11	Washer R11
42	432.0880	Wiel 15x16.00-6-V64 6PR	Wheel 15x16.00-6-V64 6PR
48	969.1129	Achterplaat-175 Rap. 135; 165; 205	Rear plate-175 Rap. 135; 165; 205
	969.1384	Achterplaat-200 Rap. 240; 360; 370	Rear plate-200 Rap. 240; 360; 370
49	303.0902	Pl. verzonken bout M8x20-Torx	Countersunk bolt M8x20-Torx
50	301.0804	Bout M12x35	Bolt M12x35
51	913.0271	Hefblok R8	Lifting block R8
51a	913.1655	Steunstrip R8-Li.	Support strip R8-Li.
51b	913.1656	Steunstrip R8-Re.	Support strip R8-Re.



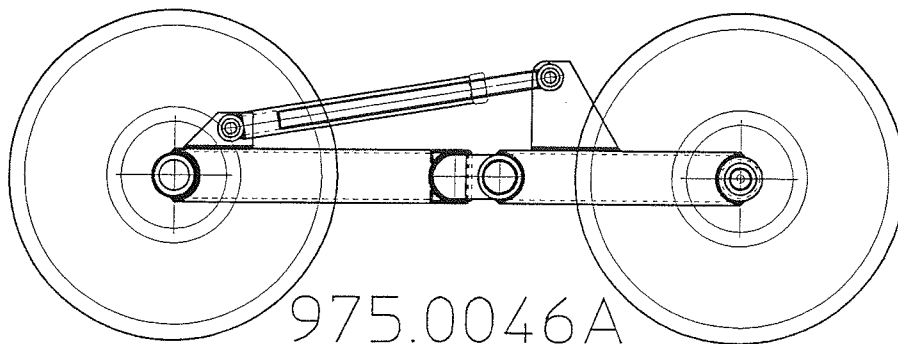
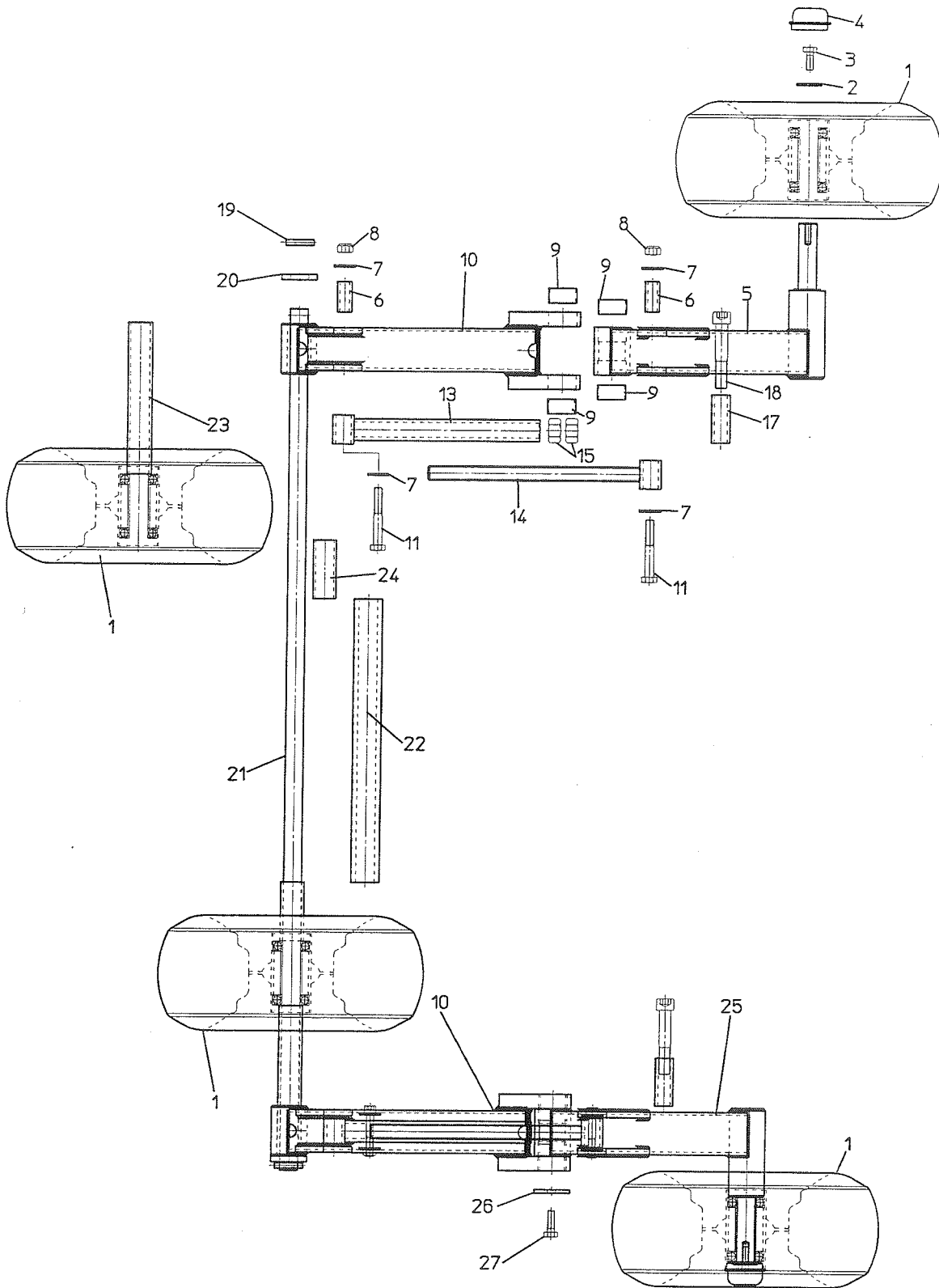
975.0037-3

9. PICK-UP (6-ROWS) SPRING SUSPENSION GEAR

9. PICK-UP (6-BALKS) VERENDE OPHANGING

Drawing no. : 975.0037-2

<i>Fig.</i>	<i>SR-no.</i>	<i>Omschrijving</i>	<i>Description</i>
1	462.0179	Staalkabel L=1150 Rap. 135; 165	Steel cable L=1150 Rap. 135; 165
	462.0192	Staalkabel L=1440 Rap. 205; 240; 360; 370	Steel cable L=1440 Rap.205; 240; 360; 370
2	281.0034	Kabelrol	Cable roller
2a	925.0712	Busje L=40.	Tube L=40
2b	301.0725	Bout M10x65	Bolt M10x65
2c	316.0705	Sluitring A10,5	Washer A10,5
2d	306.0306	Borgmoer M10	Locking nut M10
3	969.2386	Veerbuis-KB	Springtube-KB
4	331.0118	Trekveer	Draw spring
5	349.0115	Pijpklembeugel 76/M12	Clamp 76/M12
5a	306.0302	Borgmoer M12	Locking nut M12
5b	316.0702	Sluitring A13	Washer A13
6	969.0998	Veerspanstang	Spring stretcher
7	316.0725	Sluitring A21	Washer A21
8	306.0706	Moer M20	Nut M20



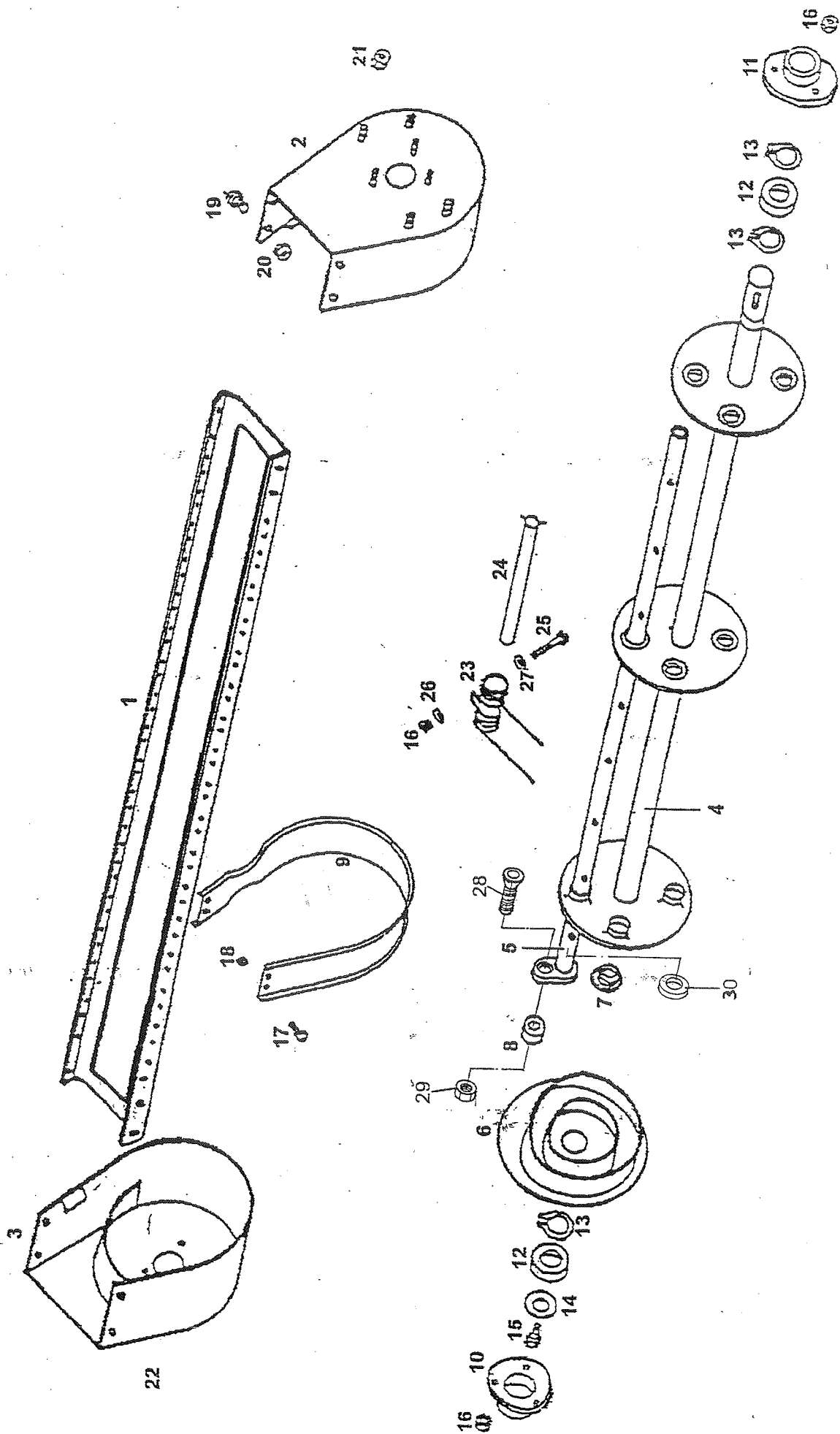
975.0046A

10. DOUBLE RUNNER WHEEL

10. TANDEM LOOPWIELSTEL

Drawing no. : 994.0729

<i>Fig.</i>	<i>SR-no.</i>	<i>Omschrijving</i>	<i>Description</i>
	994.0729	Tandem-loopwielstel cpl. Rap. 135; 165; 205	Double runner wheel cpl. Rap. 135; 165; 205
	994.0730	Tandem-loopwielstel cpl. Rap. 240; 360; 370	Double runner wheel cpl. Rap. 240; 360; 370
1	432.0880	Wiel 15x6.00-6-V64 6PR	Wheel 15x6.00-6-V64 6PR
1a	432.0338	Velg 4.50x6	Rim 4.50x6
1b	401.0143	Kogellager 6205-2RS	Bal bearing 6205-2RS
1c	432.0145	Buitenband 15x6.00-6 V64 6PR	Tyre 15x16.00-6 V64 6PR
1d	432.0146	Binnenband 15x6.00	Inner tub 15x6.00
2	316.0715	Sluitring R11	Washer R11
3	301.0809	Bout M10x20	Bolt M10x20
4	349.0060	Naafdop 52/26	Hub cap 52/26
5	969.2389	Loopwielarm LV	Runner arm LV
6	926.0913	Buisje L42	Bush L42
7	316.0701	Sluitplaat A13	Washer A13
8	306.0302	Borgmoer M12	Locking nut M12
9	402.0141	Glijlager 35/20	Slide bearing 35/20
10	969.2390	Loopwielarm A	Runner arm A
11	301.0785	Bout M12x80	Bolt M12x80
13	969.2395	Stelbuis	Adjusting bush
14	969.2394	Stelstang M20	Adjusting screw M20
15	306.0706	Moer M20	Nut M20
17	926.0854	Buisje L67	Bush L67
18	302.0657	Cil.kop bout M16x90	Cyl.head bolt M16x90
19	312.0104	Spanstift 8x40	Clamping sleeve 8x40
20	900.0330	Ring	Disc
21	921.0278	Loopwielenas Rap. 135; 165; 205	Runner shaft Rap. 135; 165; 205
	921.0573	Loopwielenas Rap. 240; 360; 370	Runner shaft Rap. 240; 360; 370
22	926.0409	Buis L1450	Bush L1450
23	926.0403	Buis L200	Bush L200
24	926.0404	Buis L88 Rap. 240; 360; 370	Bush L88 Rap. 240; 360; 370
25	969.2391	Loopwielarm RV	Runner arm RV
26	934.0149	Sluitring 50x11-8	Washer 50x11-8
27	301.0811	Bout M10x30	Bolt M10x30

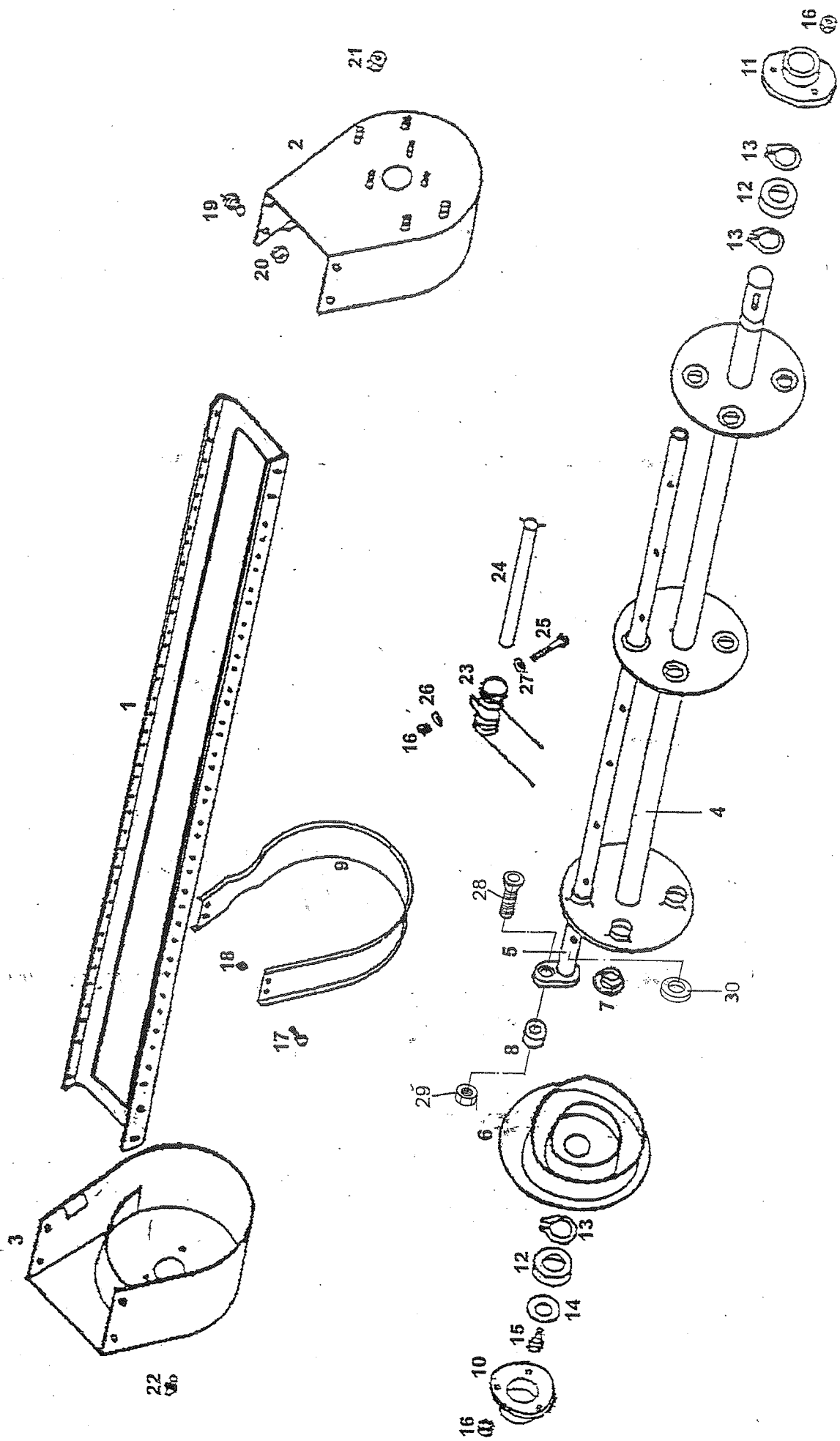


11. 5-ROWS PICK-UP RAPIDE 130E

11. 5-BALKS PICK-UP RAPIDE 130E

Article no. complete pick-up: 433.0108

<i>Fig.</i>	<i>SR-no.</i>	<i>Omschrijving</i>	<i>Description</i>
2	458.0045	Eindkap links	End cover left
3	458.0046	Eindkap rechts	End cover right
4	458.0047	Aandrijfas	Drive shaft
5	458.0048	Veeras	Spring shaft
6	458.0049	Curve-plaat	Curve plate
7	450.0938	Nylonbus	Nylon sleeve
8	401.0216	Looprol LR-5201	Roller bearing LR-5201
9	458.0050	Geleidebeugel	Guide bracket
10	458.0054	Lagerhuis blind	Bearing housing
11	458.0055	Lagerhuis met gat	Bearing housing (with hole)
12	401.0175	Kogellager 6207-2RS	Ball bearing 6207-2RS
13	313.0105	Buitenborgring A35	Locking ring A35
14	934.0236	Ring Ø10/40×3	Ring Ø10/40×3
15	301.0801	Bout M8x16	Bolt M8x16
16	306.0380	Borgmoer M8.10	Locking nut M8.10
17	301.0820	Bout M6x16	Bolt M6x16
18	306.0707	Moer M6	Nut M6
19	301.0809	Bout M10x20	Bolt M10x20
20	306.0701	Moer M10	Nut M10
21	306.0704	Moer M12	Nut M12
22	342.0103	Smeernippel M10x1-180	Grease nipple M10x1-180
23	458.0053	Pick-up tand	Pick-up tine
24	458.0051	Tandveerbuis	Tine spring tube
25	301.0136	Bout M8x50 12.9	Bolt M8x50 12.9
26	316.0713	Sluitring R9	Washer R9
27	458.0052	Klemstukje	Clamping piece
28	303.0930	Verz. bout M12x40	Countersunk bolt M12x40
29	458.0068	Moer M12	Nut M12



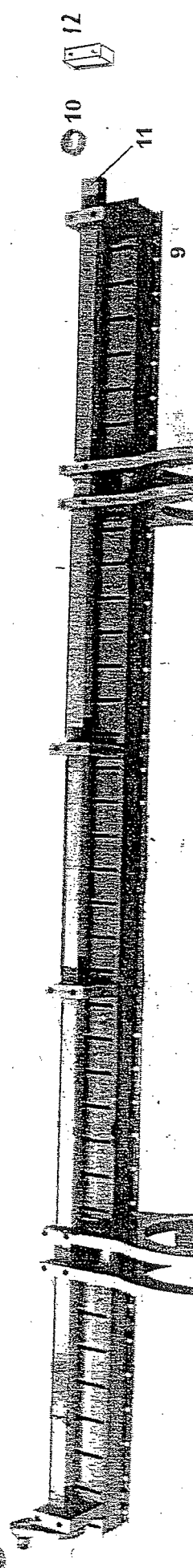
12. 6-ROWS PICK-UP

12. 6-Balks Pick-up

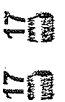
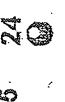
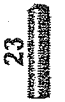
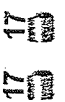
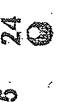
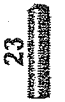
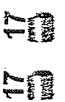
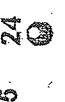
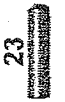
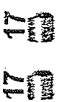
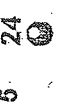
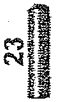
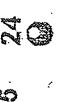
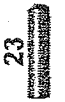
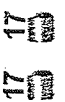
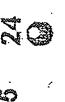
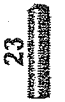
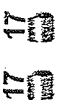
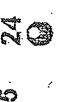
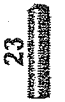
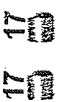
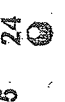
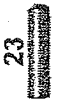
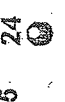
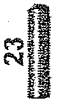
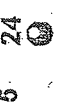
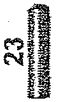
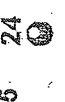
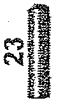
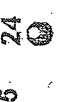
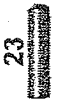
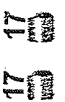
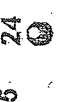
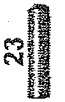
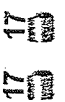
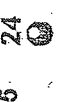
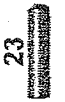
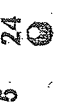
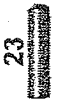
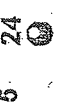
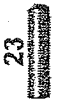
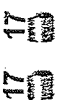
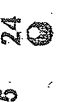
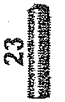
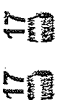
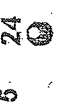
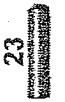
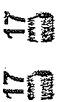
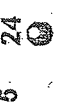
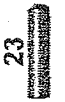
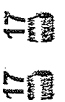
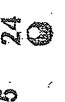
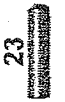
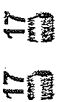
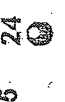
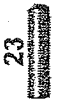
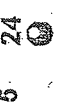
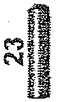
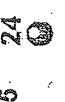
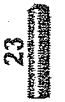
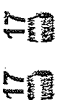
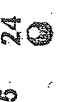
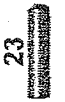
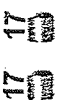
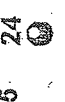
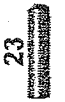
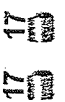
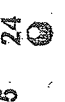
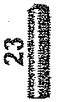
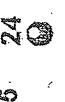
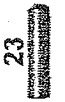
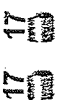
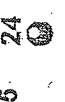
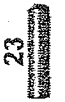
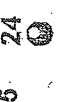
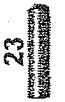
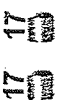
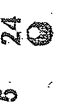
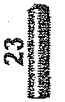
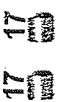
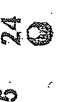
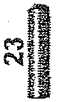
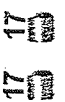
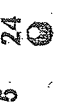
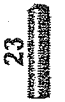
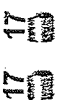
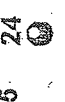
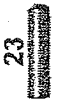
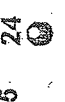
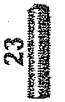
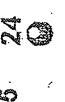
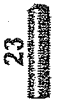
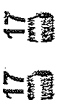
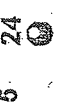
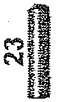
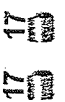
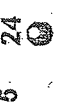
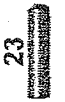
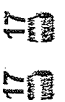
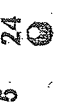
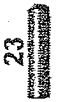
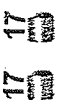
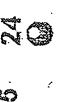
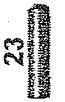
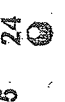
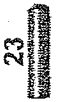
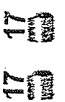
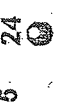
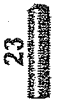
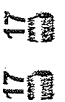
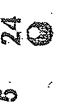
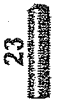
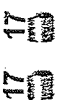
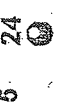
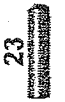
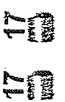
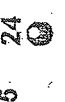
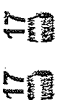
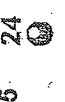
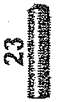
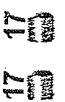
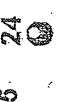
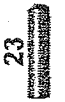
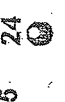
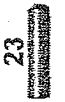
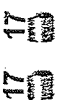
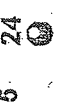
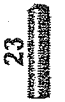
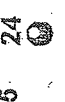
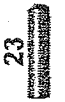
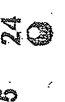
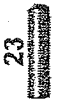
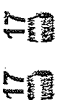
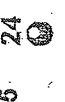
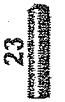
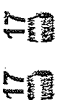
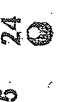
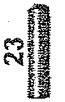
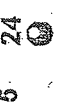
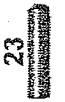
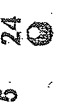
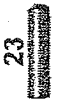
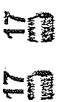
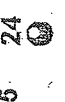
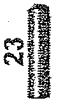
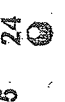
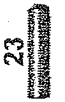
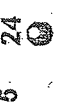
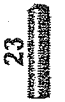
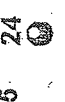
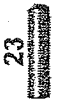
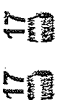
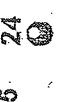
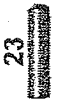
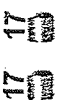
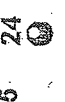
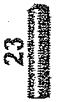
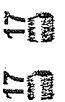
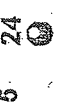
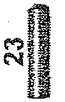
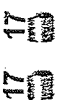
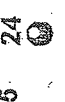
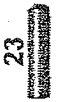
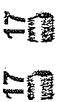
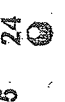
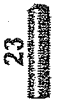
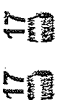
<i>Fig.</i>	<i>SR-no.</i>	<i>Omschrijving</i>	<i>Description</i>
-	969.2385	Pick-up 180/6-balks Rap. 135; 165; 205	Pick-up 180/6-rows Rap. 135; 165; 205
-	969.2451	Pick-up 200/6-balks Rap. 240; 360; 370	Pick-up 200/6-rows Rap. 240; 360; 370
2	458.0067	Eindkap links	End cover left
3	458.0057	Eindkap rechts	End cover right
4	458.0069	Aandrijfas 1.3/4-6 Rap. 135; 165; 205	Drive shaft 1.3/4-6 Rap. 135; 165; 205
	458.0076	Aandrijfas 1.3/4-6 Rap. 240; 360; 370	Drive shaft 1/3/4-6 Rap. 240; 360; 370
5	458.0061	Veeras Rap. 135; 165; 205	Spring shaft Rap. 135; 165; 205
	458.0077	Veeras Rap. 240; 360; 370	Spring shaft Rap. 240; 360; 370
6	458.0062	Curve-plaat	Curve plate
7	450.0938	Nylonbus	Nylon bush
8	401.0216	Looprol LR-5201	Roller bearing LR-5201
9	458.0063	Geleidebeugel	Guide bracket
10	458.0064	Lagerhuis	Bearing housing
11	458.0064	Lagerhuis	Bearing housing
12	401.0208	Kogellager 6209-2RS	Ball bearing 6209-2RS
13	313.0111	Buitenborgring A45	Locking ring A45
14	934.0236	Ring Ø10/40x3	Ring Ø10/40x3
15	301.0801	Bout M8x16	Bolt M8x16
16	306.0380	Borgmoer M8.10	Locking nut M8.10
17	301.0820	Bout M6x16	Bolt M6x16
18	306.0707	Moer M6	Nut M6
19	301.0809	Bout M10x20	Bolt M10x20
20	306.0701	Moer M10	Nut M10
21	306.0704	Moer M12	Nut M12
22	342.0103	Smeemoppel M10x1-180	Grease nipple M10x1-180
23	458.0072	Pick-up tand	Pick-up tine
24	458.0051	Tandveerbuis	Tine spring tube
25	301.0136	Bout M8x50-12.9	Bolt M8x50-12.9
26	316.0713	Sluistring R9	Washer R9
27	458.0052	Klemstukje	Clamping piece
28	303.0930	Verz.bout M12x40	Countersunk bolt M12x40
29	458.0068	Moer M12	Nut M12



- 5 ○
- 6 ○
- 7 ○
- 8 ○



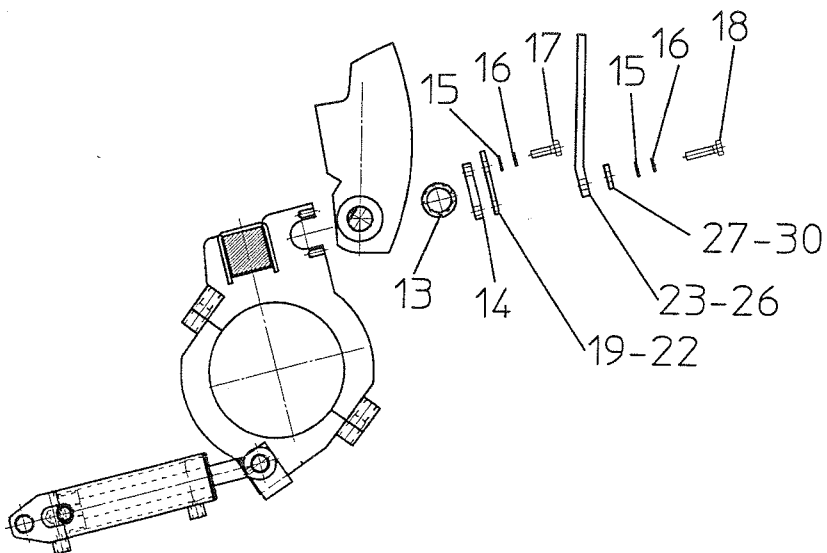
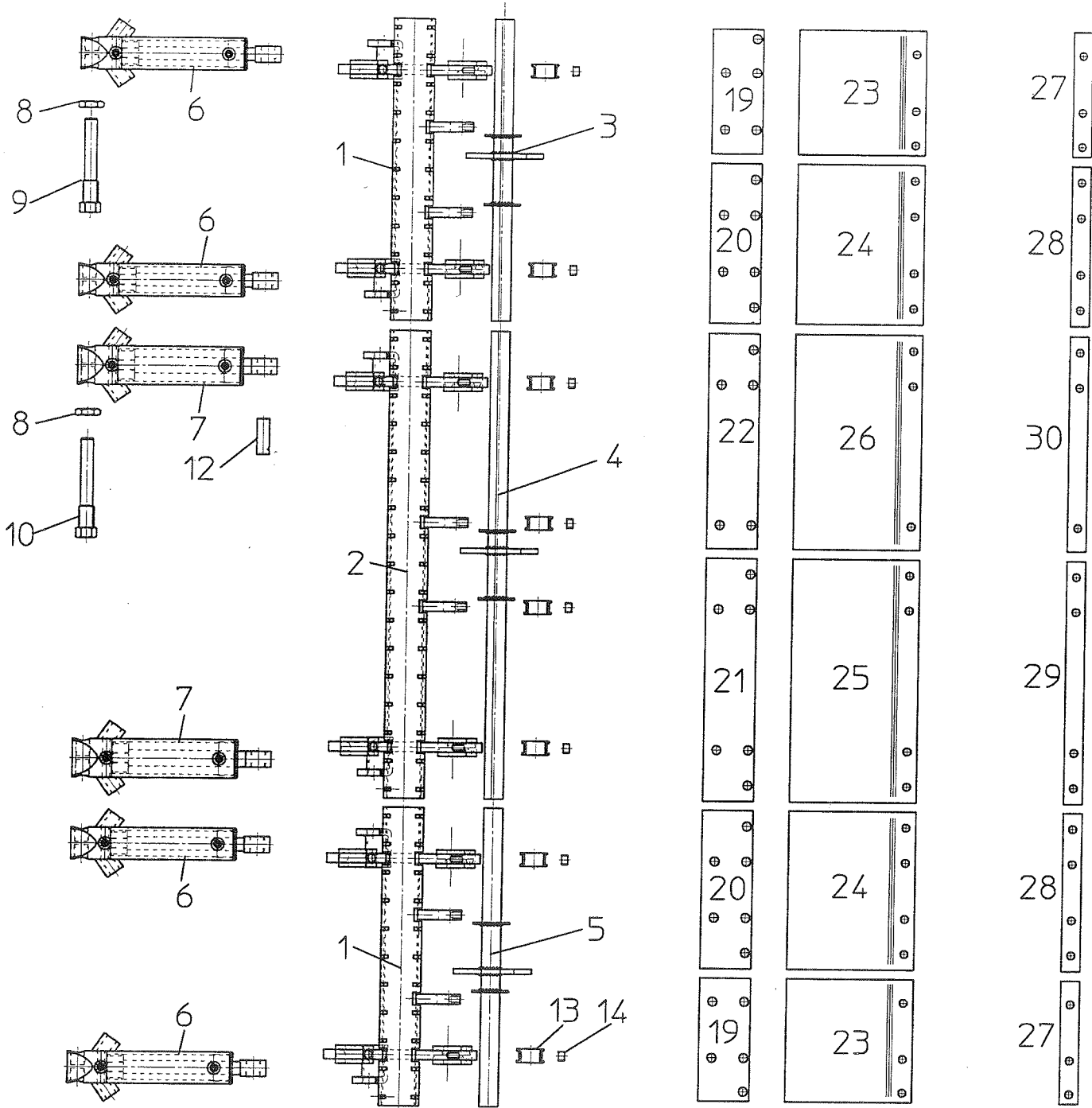
- 23 ○
- 24 ○
- 25 ○



13. CHOPPING DEVICE DBA

13. SNIJ-INRICHTING DBA

<i>Fig.</i>	<i>SR-no.</i>	<i>Omschrijving</i>	<i>Description</i>
1	433.0116	Mes 50-5	Knife 50-5
2	913.1379	Klemstrip 160/54 Rap. 130E	Clampingstrip 160/54 Rap. 130E
	913.1862	Klemstrip 175/54-L Rap. 135; 165; 205	Clampingstrip 175/54-L Rap. 135; 165; 205
2	913.1863	Klemstrip 175/54-R Rap. 135; 165; 205	Clampingstrip 175/54-R Rap. 135; 165; 205
	913.1866	Klemstrip 200/54-L Rap. 240; 360; 370	Clampingstrip 200/54-L Rap. 240; 360; 370
2	913.1867	Klemstrip 200/54-R Rap. 240; 360; 370	Clampingstrip 200/54-R Rap. 240; 360; 370
	3	374.0214	Afdichtstrook 160/54 Rap. 130E
3	374.0245	Afdichtstrook 175/54-L Rap. 135; 165; 205	Rubber sealing 175/54-L Rap. 135; 165; 205
	374.0246	Afdichtstrook 175/54-R Rap. 135; 165; 205	Rubber sealing 175/54-R Rap. 135; 165; 205
3	374.0247	Afdichtstrook 200/54-L Rap. 240; 360; 370	Rubber sealing 200/54-L Rap. 240; 360; 370
	374.0248	Afdichtstrook 200/54-R Rap. 240; 360; 370	Rubber sealing 200/54-R Rap. 240; 360; 370
4	913.1378	Steunstrip 160/54 Rap. 130E	Support strip 160/54 Rap. 130E
	913.1860	Steunstrip 175/54-L Rap. 135; 165; 205	Support strip 175/54-L Rap. 135; 165; 205
4	913.1861	Steunstrip 175/54-R Rap. 135; 165; 205	Support strip 175/54-R Rap. 135; 165; 205
	913.1864	Steunstrip 200/54-L Rap. 240; 360; 370	Support strip 200/54-L Rap. 240; 360; 370
4	913.1865	Steunstrip 200/54-R Rap. 240; 360; 370	Support strip 200/54-R Rap. 240; 360; 370
	5	316.0705	Sluistring A10,5
6	316.0906	Veerring 10mm	Spring washer 10mm
7	301.0811	Bout M10x30	Bolt M10x30
8	301.0722	Bout M10x40	Bolt M10x40
9	953.0774	Messenbalk (incl. 10 t/m 14) Rap.130E	Cutter bar (incl. 10 to 14) Rap.130E
	953.0844	Messenbalk (incl. 10t/m14) Rap.135;165; 205	Cutter bar (incl. 10 to 14) Rap.135;165; 205
9	953.0845	Messenbalk (incl. 10t/m14) Rap.240; 360;370	Cutter bar (incl. 10 to 14) Rap.240; 360;370
	10	402.0167	Glijlager 30/36-15
11	967.0040	Messenborg-as 160/54-AB Rap. 130E	Knife-locking shaft 160/54 Rap.130E
	969.2989	Messenborg-as 175/54-HB Rap. 135;165;205	Knife-locking shaft 175/54 Rap.135;165; 205
11	969.2990	Messenborg-as 200/54-HB Rap. 240;360;370	Knife-locking shaft 200/54 Rap. 240;360;370
	12	913.1140	Klemblokje
13	316.0919	Tandveerring J16,5	Toothed spring ring J16,5
14	302.0622	Cilinder kopbout M16x60	Cylinder head bolt M16x60
15	301.0801	Bout M8x16	Bolt M8x16
16	355.0791	Hydr. cilinder D25-50/138 (incl. 17 en 17a)	Hydr. cylinder D25-50/138 (incl. 17and 17a)
	454.0813	Set afdichtingen t.b.v. 16	Set of seals for 16
17	402.0129	Glijlager 20/25	Slide bearing 20/25
	402.0128	Glijlager 20/20	Slide bearing 20/20
18	920.0751	Scharnierpen	Pivoting pin
19	364.0015	Dichtring	Sealing ring
20	355.0142	Rechte fitting R.1/2"	Straight fitting R.1/2"
21	953.0716	Hydr. membraanaccu 80bar (incl. 20)	Hydr. accumulator 80bar (incl. 20)
	953.0717	Hydr. membraanaccu 120bar (incl. 20)	Hydr. accumulator 120bar (incl.20)
23	900.0379	Bout M20x155	Bolt M20x155
23a	926.0197	Busje L15	Bush L15
23b	306.0314	Borgmoer M20	Locking nut M20
24	306.0704	Moer M12	Nut M12
25	301.0804	Bout M12x35	Bolt M12x35
26	401.0201	Looprol LR202 NPP 130E	Runner roller LR 202NPP 130E
27	402.0214	Glijlagerring 158/12	Slide bearing 158/12

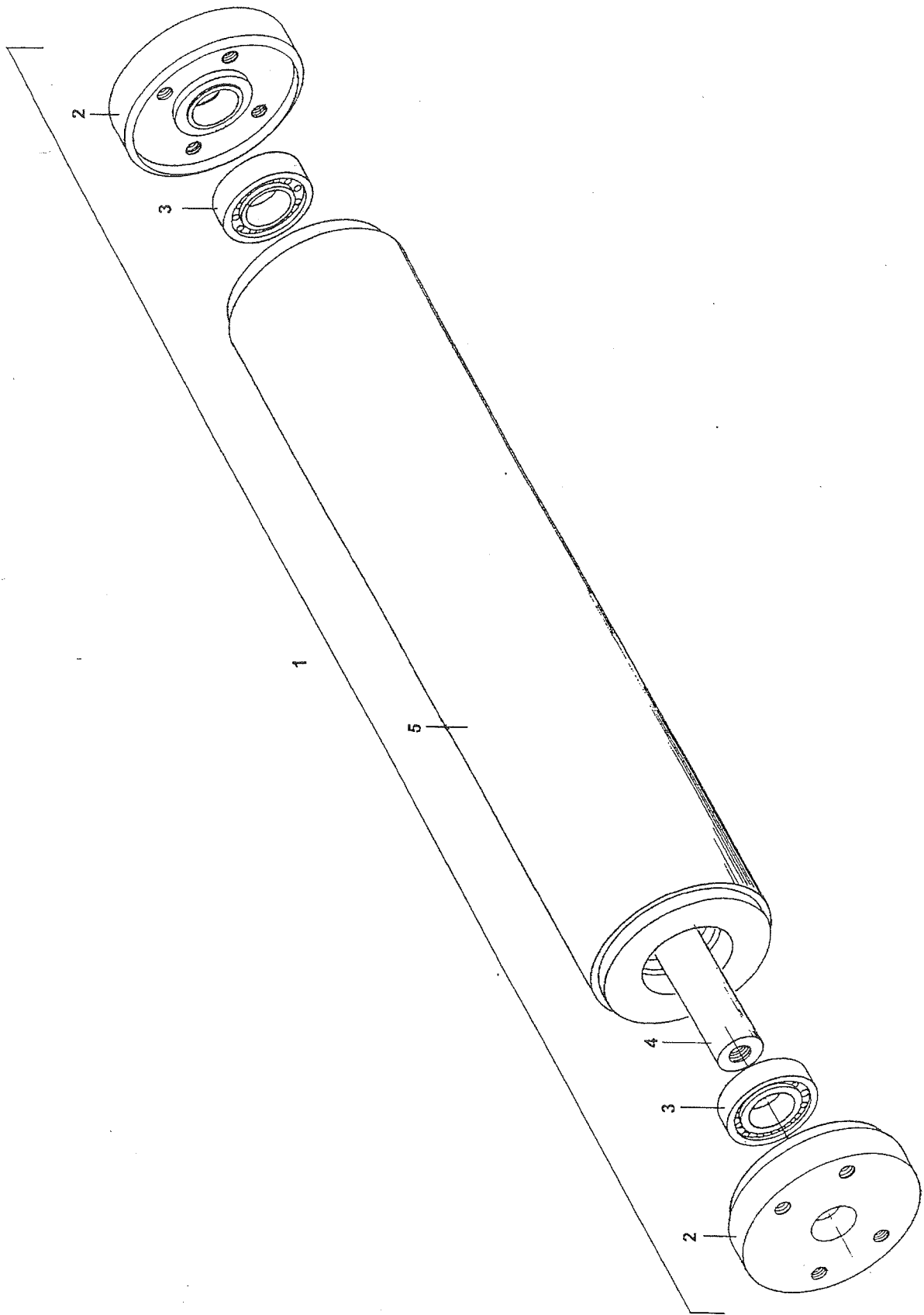


14. CHOPPING DIVICE GMB

14. SNIJ-INRICHTING GMB

Tekeningnummer 975.0042

<i>Fig.</i>	<i>SR-nr.</i>	<i>Omschrijving</i>	<i>Description</i>
1	969.2433	Messenbalk GMB-Li./Re. Rap. 135;165;205	Cutter bar GMB-Li./Re. Rap. 135; 165; 205
	969.2434	Messenbalk GMB-Li./Re. Rap. 240;360;370	Cutter bar GMB-Li./Re. Rap. 240; 360; 370
2	969.2432	Messenbalk GMB-midden	Cutter bar GMB-middle
3	969.2436	Borgas GMB-Li. Rap. 135; 165; 205	Knife-locking shaft GMB-Li. 135; 165; 205
	969.2438	Borgas GMB-Li. Rap. 240; 360; 370	Knife-locking shaft GMB-Li. 240; 360; 370
4	969.2435	Borgas GMB-midden	Knife-locking shaft GMB-Middle
5	969.2437	Borgas GMB-Re. Rap. 135; 165; 205	Knife-locking shaft GMB-Re. 135; 165; 205
	969.2438	Borgas GMB-Re. Rap. 240; 360; 370	Knife-locking shaft GMB-Re. 240; 360; 370
6	355.0764	Hydr. cilinder D20/40-138	Hydr. cylinder D20/40-138
7	355.0791	Hydr. cilinder D25/50-138	Hydr. cylinder D25/50-138
8	306.0352	Lage moer M24x2	Niedrige mutter M24x2
9	969.2499	Scharnierbout M24x2/20-135	Swing bolt M24x2/20-135
10	969.1485	Scharnierbout M24x2/20-145	Swing bolt M24x2/20-145
12	921.0579	Scharnierpen	Pivoting pin
13	402.0167	Lagerbus 30/36-15	Slide bearing 30/36-15
14	913.1140	Klemstrip	Clamp
15	316.0705	Sluistring A10,5	Washer A10,5
16	316.0906	Veerring 10mm	Toothed spring ring 10mm
17	301.0811	Bout M10x30	Bolt M10x30
18	301.0722	Bout M10x40	Bolt M10x40
19	913.1390	Steunstrip-255 Rap. 240; 360; 370	Support strip-255 Rap. 240; 360; 370
20	913.1390	Steunstrip-255	Support strip-255
21	913.1392	Steunstrip-410	Support strip-410
22	913.1391	Steunstrip-366	Support strip-366
23	374.0228	Rubber afdichtstrook-255 Rap. 240; 360;370	Rubber sealing-255 Rap. 240; 360; 370
24	374.0228	Rubber afdichtstrook-255	Rubber sealing-255
25	374.0230	Rubber afdichtstrook-410	Rubber sealing-410
26	374.0229	Rubber afdichtstrook-366	Rubber sealing-366
27	913.1393	Klemstrip-255 Rap. 240; 360; 370	Clamping strip-255 Rap. 240; 360; 370
28	913.1393	Klemstrip-255	Clamping strip-255
29	913.1395	Klemstrip-410	Clamping strip-410
30	913.1394	Klemstrip-366	Clamping strip-366

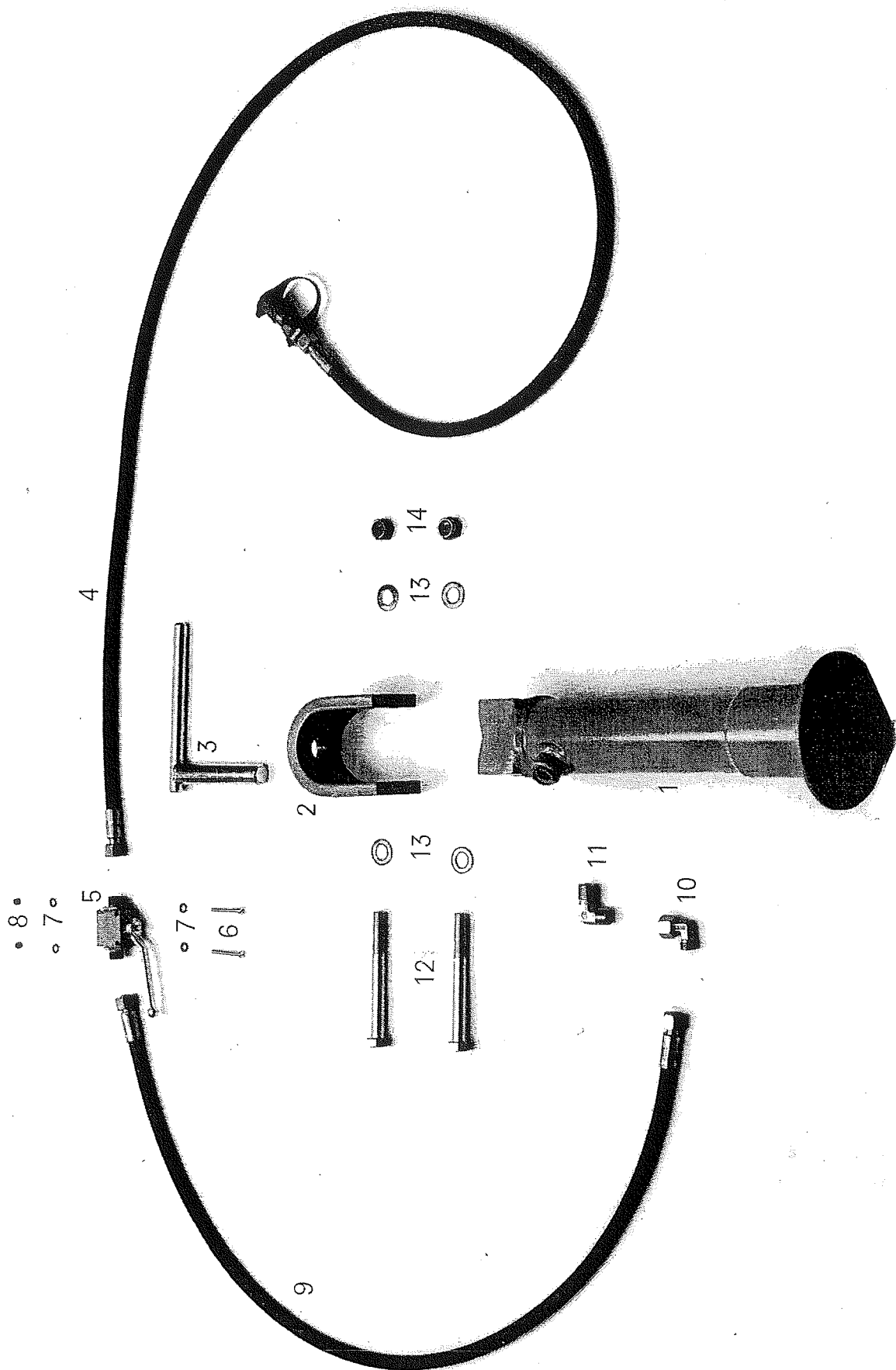


15. FEED ROLLER

15. INVOERROL

Drawing no. 975.0010

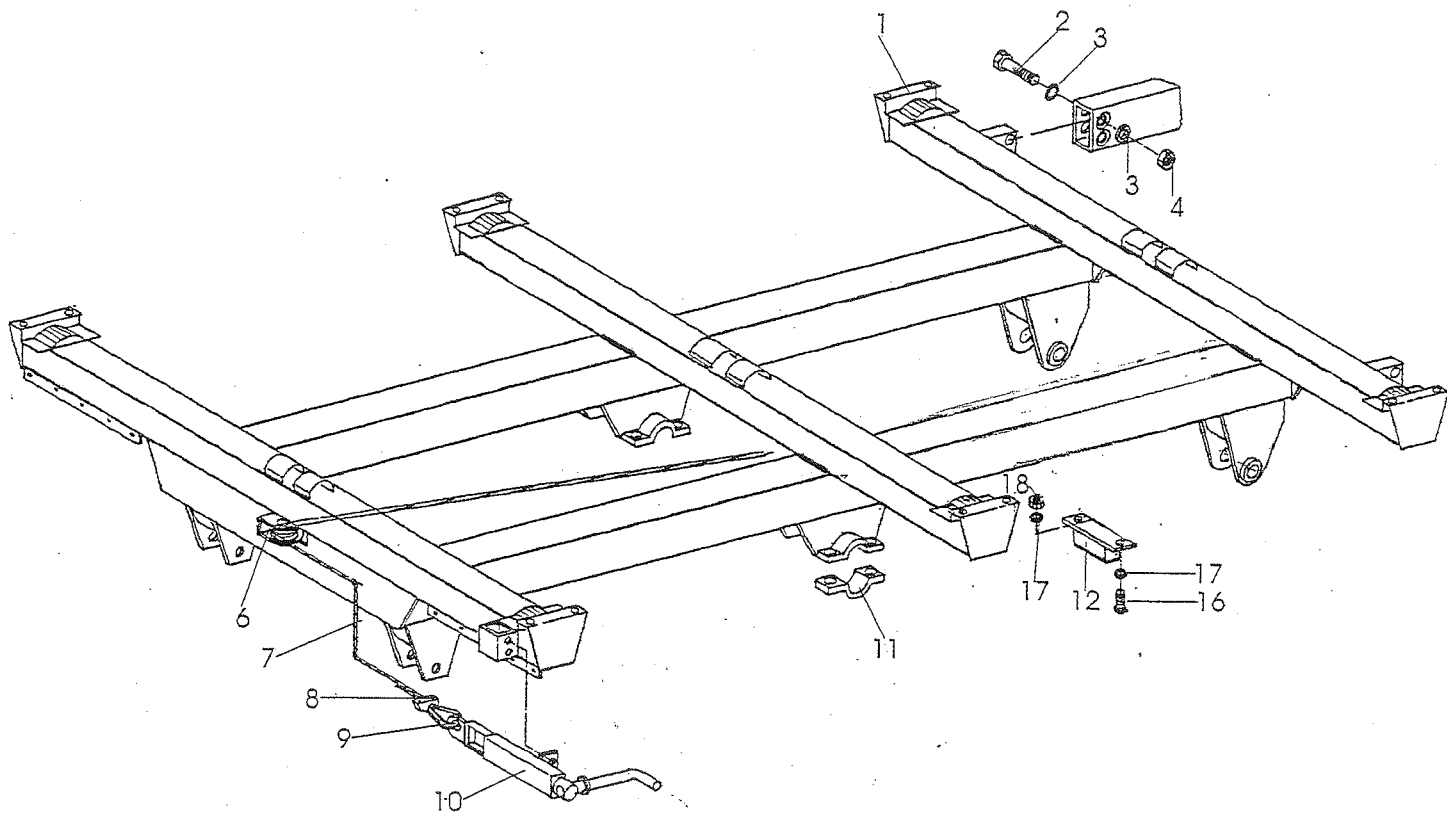
<i>Fig.</i>	<i>SR-no.</i>	<i>Omschrijving</i>	<i>Description</i>
1	953.0503	Invoerrol cpl. Rap. 130E	Feed roller cpl. Rap. 130E
	953.0786	Invoerrol cpl. Rap. 135; 165; 205	Feed roller cpl. Rap. 135; 165; 205
	953.0757	Invoerrol cpl. Rap. 240; 360; 370	Feed roller cpl. Rap. 240; 360; 370
2	920.0799	Eindflens	End flange
3	401.0175	Kogellager 6207-2RS	Ball bearing 6207-2RS
4	920.0801	Rol-as Rap. 130E	Roller shaft Rap. 130E
	921.0523	Rol-as Rap. 135; 165; 205	Roller shaft Rap. 135; 165; 205
	921.0572	Rol-as Rap. 240; 360; 370	Roller shaft Rap. 240; 360; 370
5	967.0338	Invoerrol Rap. 130E	Feed roller Rap. 130E
	969.2425	Invoerrol Rap. 135; 165; 205	Feed roller Rap. 135; 165; 205
	969.2426	Invoerrol Rap. 240; 360; 370	Feed roller Rap. 240; 360; 370



16. HYDRAULIC PARKING SUPPORT

16. HYDRAULISCHE STEUNPOOT

<i>Fig.</i>	<i>SR-no.</i>	<i>Omschrijving</i>	<i>Description</i>
1	967.0781	Steunpootcilinder	Parking support cylinder
1a	454.0059	Set afdichtingen t.b.v. 1	Set of seals for 1
2	911.0784	Scharnierstuk	Hinge piece
3	967.0780	Grendelpen	Locking pin
4	417.0432	Hydr. slang 3/8" L2600	Hydr. hose 3/8" L2600
5	355.0667	Tweeweg kogelkraan NW10	Two-way ball valve NW10
6	303.0952	Cilinder kopschroef M5x45	Cylinder head bolt M5x45
7	316.0730	Sluitring A5,3	Washer A5,3
8	306.0335	Borgmoer M5	Self-locking nut M5
9	417.0404	Hydr. slang 3/8" L1200	Hydr. Hose 3/8" L1200
10	355.0197	Koppeling EEL-12	Coupling EEL-12
11	355.0124	Koppeling CKL-12R1/2"	Coupling CKL-12R1/2"
12	301.0783	Bout M16x140	Bolt M16x140
13	316.0707	Sluitring A17	Washer A17
14	306.0303	Borgmoer M16	Locking nut M16

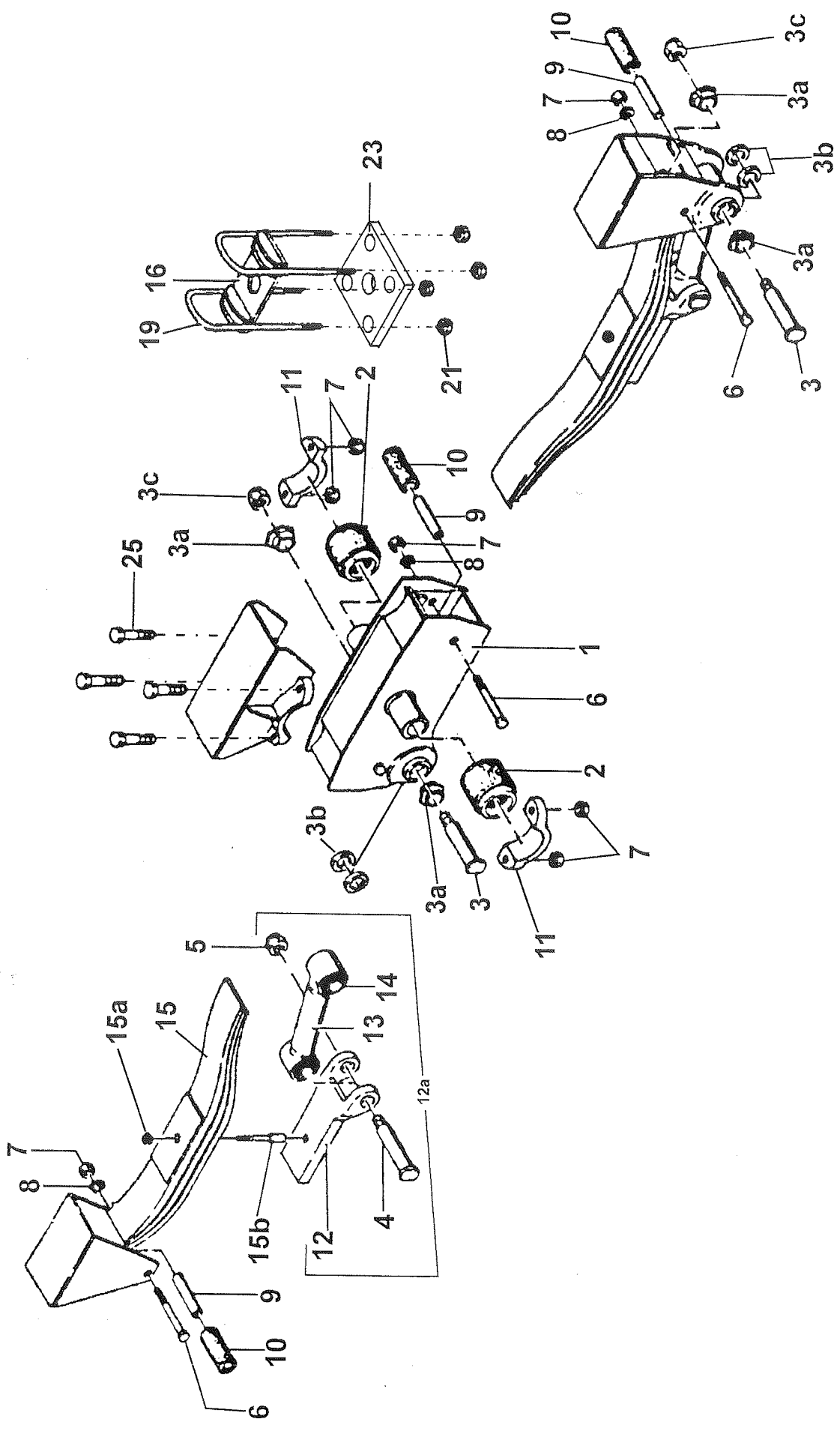


17. TANDEMFRAME SPRING ASSEMBLIE

17. TANDEM FRAME GEVEERD

Drawing no. : 975.0027

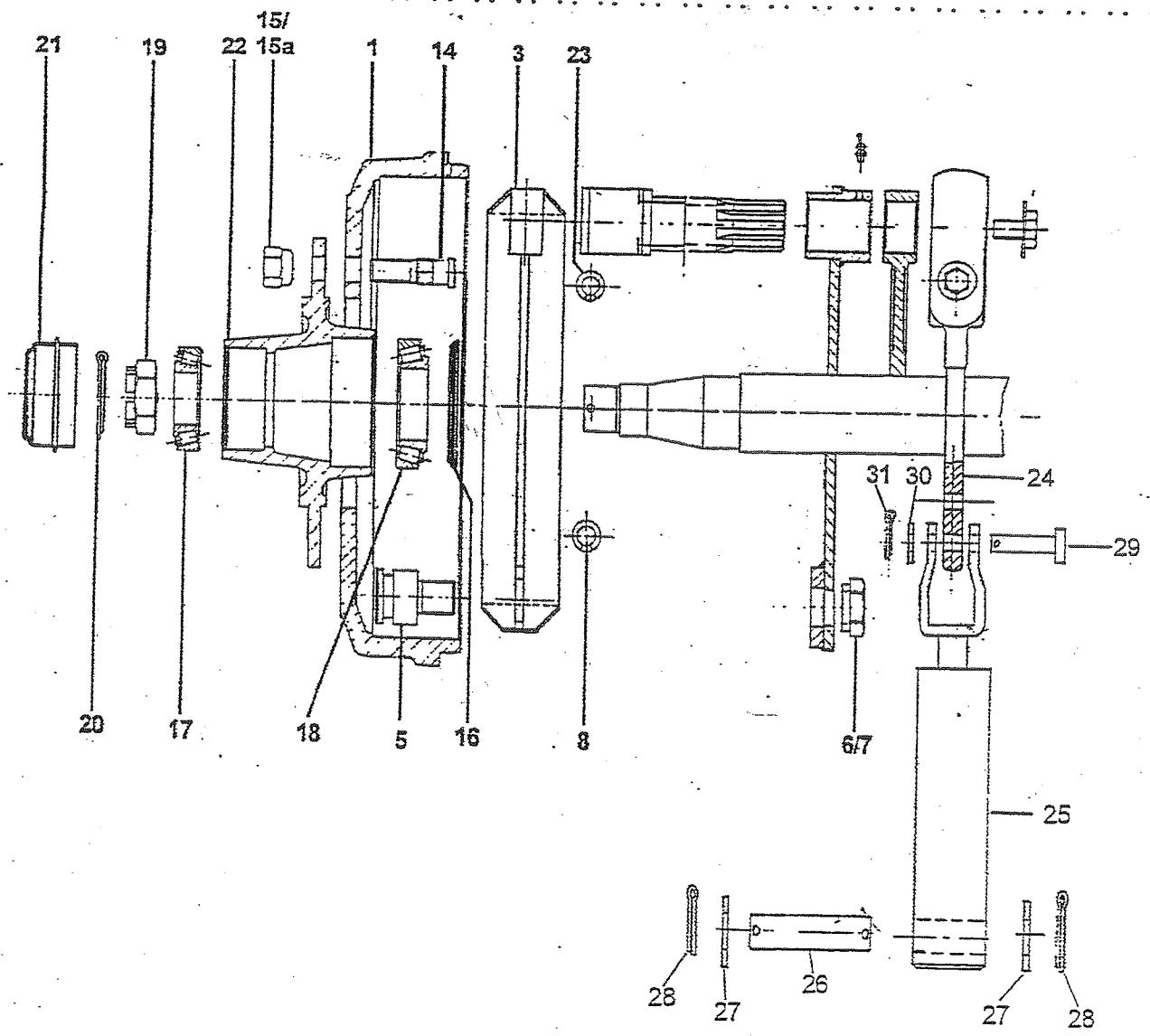
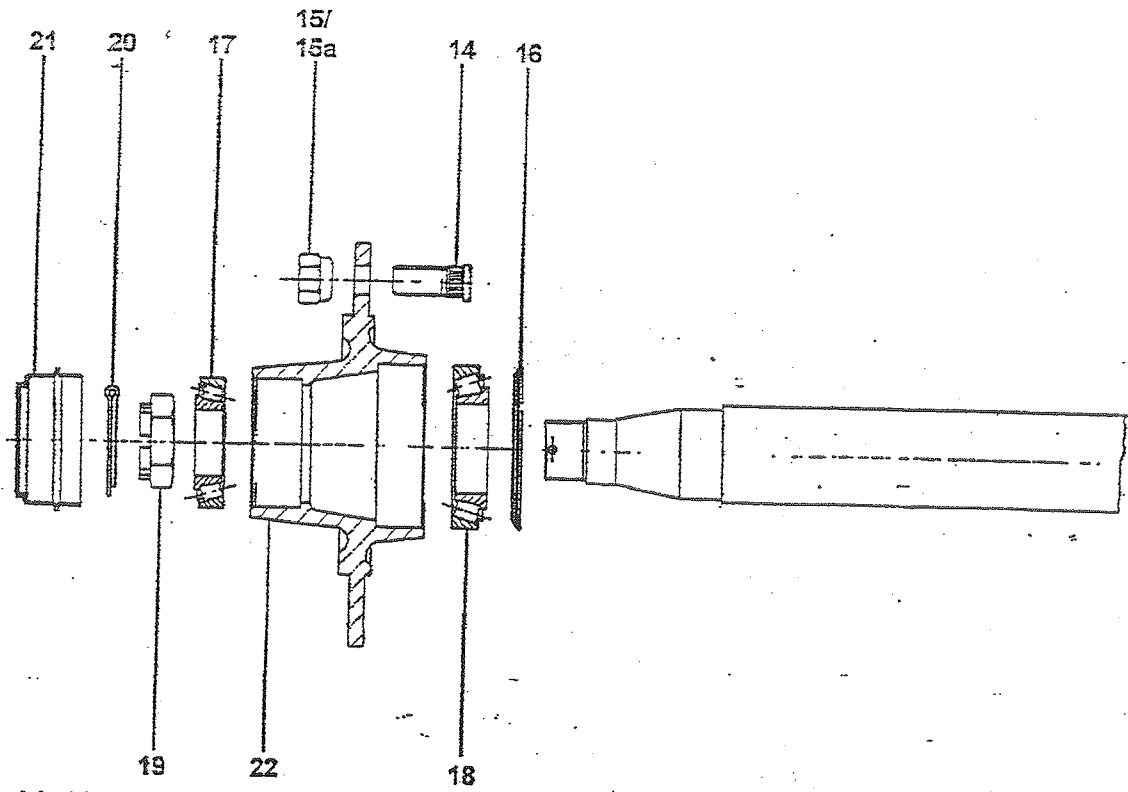
<i>Fig.</i>	<i>SR-no.</i>	<i>Omschrijving</i>	<i>Description</i>	
1	961.0580	Tandemframe Rap. 130E	Tandemframe Rap. 130E	
	969.2842	Tandemframe Rap. 135	Tandemframe Rap. 135	
	969.3410	Tandemframe Rap. 165	Tandemframe Rap. 165	
	969.3411	Tandemframe Rap. 205	Tandemframe Rap. 205	
	969.3412	Tandemframe Rap. 240	Tandemframe Rap. 240	
	969.2633	Tridemframe Rap. 360	Tridemframe Rap. 360	
	969.2575	Tridemframe Rap. 370	Tridemframe Rap. 370	
	969.2562	Tandemframe-boven Rap. 205-weegunit	Tandemframe-top Rap. 205-weighunit	
	969.2563	Tandemframe-onder Rap. 205-weegunit	Tandemframe-lower Rap. 205-weighunit	
	969.3091	Tridemframe-boven Rap. 360-weegunit	Tridemframe-top Rap. 360-weighunit	
	969.3092	Tridemframe-onder Rap. 360-weegunit	Tridemframe-lower Rap. 360-weighunit	
	352.0046	Weegstaaf CELL- 3.5 DB	Loadcell CELL-3.5 DB	
	2	301.0771	Bout M20x90	Bolt M20x90
	3	316.0311	Conische veerring C20mm	Conical spring ring C20mm
4	306.0706	Moer M20	Nut M20	
6	462.0127	Kabelrol	Cable roller	
7	371.0132	Staalkabel	Steel cable	
8	378.0118	Kabelklem	Cable clamp	
9	378.0102	Punkous	Cable lug	
10	968.0628	Parkeerrem	Parking brake	
11	462.0555	Lagerschaal	Bearing cup	
12	376.0158	Rubber aanslagblok	Bump stop	
16	301.0805	Bout M10x25	Bolt M10x25	
17	316.0705	Sluitring A10,5	Washer A10,5	
18	306.0306	Borgmoer M10	Locking nut M10	



18. GIGANT SPRING ASSEMBLIES

18. GIGANT VEERSTELLEN

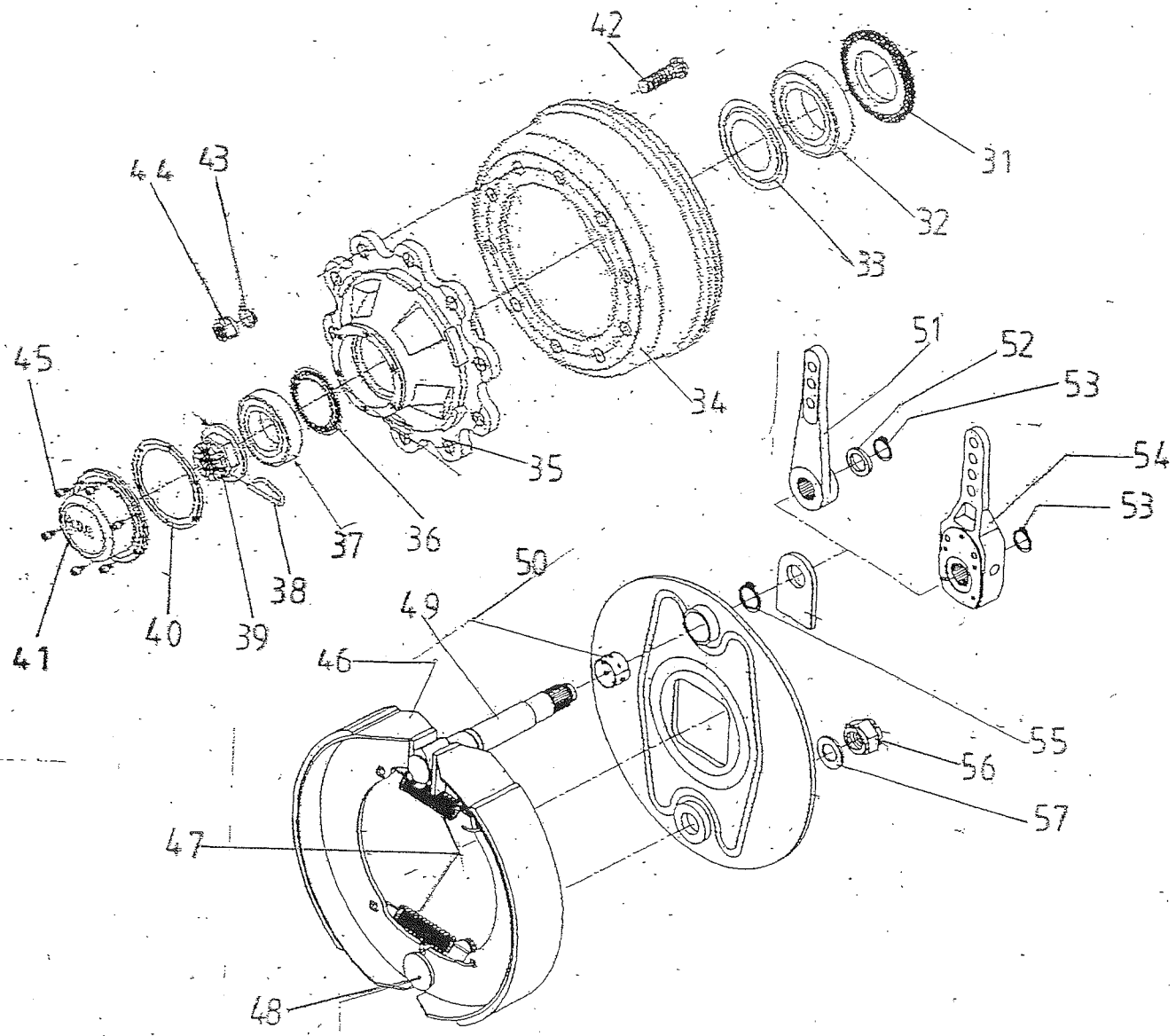
<i>Fig.</i>	<i>SR-no.</i>	<i>Omschrijving</i>	<i>Description</i>
1	462.0513	Pendelstuk Rap. 130E	Oscillating piece Rap. 130E
	462.0517	Pendelstuk	Oscillating piece
2	450.0925	Rubberbus	Rubber bushing
3	462.0538	Excenterbout (incl. 3a, b en c)	Eccentric bolt (incl. 3a, b and c)
4	450.0926	Veerbout M27x1,5 (incl. 5)	Suspension bolt (incl. 5)
5	450.0927	Moer M27x1,5	Nut M27x1,5
6	301.0716	Bout M16x130 Rap. 130E	Bolt M16x130 Rap. 130E
	301.0713	Bout M16x160	Bolt M16x160
7	306.0303	Borgmoer M16	Locking nut M16
8	316.0707	Sluitring A17	Washer A17
9	926.0273	Buisje L=96 Rap. 130E	Bush L=96 Rap. 130E
	926.0274	Buisje L=116	Bush L=116
10	462.0557	Rubberrol L=100	Rubber roller L=100
11	462.0555	Lagerschaal middenstoel	Bearing cup middle block
12	-	Veertrekplaat	Spring drawing plate
12a	462.0531	Trekveearm 80/244 Rap. 130E	Draw spring arm 80/244 Rap. 130E
	462.0533	Trekveearm 100/353 Rap. 135	Draw spring arm 100/353 Rap. 135
	462.0534	Trekveearm 100/453 Rap. 165 t/m 370	Draw spring arm 100/453 Rap. 165 bis 370
13	-	Veertrekarm (incl. 14)	Spring draw arm (incl. 14)
14	450.0944	Rubberbus	Rubber bushing
15	462.0521	Veerpakket 80/1200-4 Rap. 130E	Spring assembly 80/1200-4 Rap. 130E
	462.0525	Veerpakket 100/1400-6 Rap. 135	Spring assembly 100/1400-6 Rap. 135
	462.0523	Veerpakket 100/1600-6 Rap. 165	Spring assembly 100/1600-6 Rap. 165
	462.0524	Veerpakket 100/1600-8 Rap. 205 t/m 370	Spring assembly 100/1600-8 Rap.205 bis 370
16	968.0372	Veerplaat 80/100 Rap. 130E	Spring plate 80/100 Rap. 130E
	968.0376	Veerplaat 100/110	Spring plate 100/110
	462.0542	Veerstrop M20x320 Rap. 130E	Spring U-bolt M20x320 Rap. 130E
19	462.0567	Veerstrop M22x400	Spring U-bolt M22x400
21	462.0551	Borgmoer M20x2,5 Rap. 130E	Locking nut M20x2,5 Rap. 130E
	462.0568	Borgmoer M22x1,5	Locking nut M22x1,5
21a	316.0738	Sluitring A21 Rap. 130E	Washer A21 Rap. 130E
23	912.0172	Veer-asplaat 80/100 Rap. 130E	Spring axle plate 80/100 Rap. 130E
	969.2279	Veer-asplaat 100/110-40	Spring axle plate 100/110-40
25	301.0745	Bout M16x70	Bolt M16x70



19. Wheel axles ADR (Type 1008 Brake 300×90) Rapide 130E-MLA

19. WIELASSEN ADR (TYPE 1008 REM 300×90) RAPIDE 130E-MLA

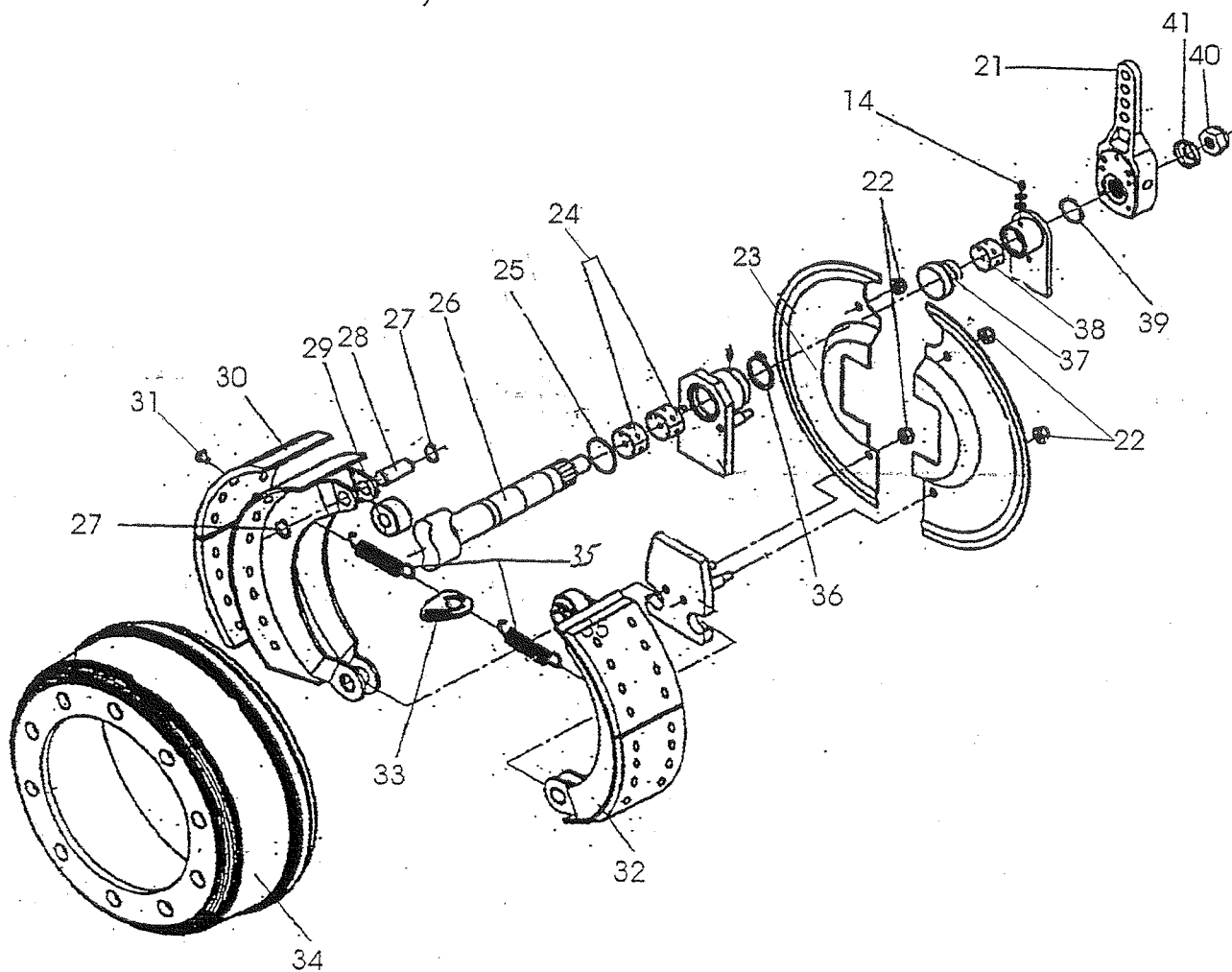
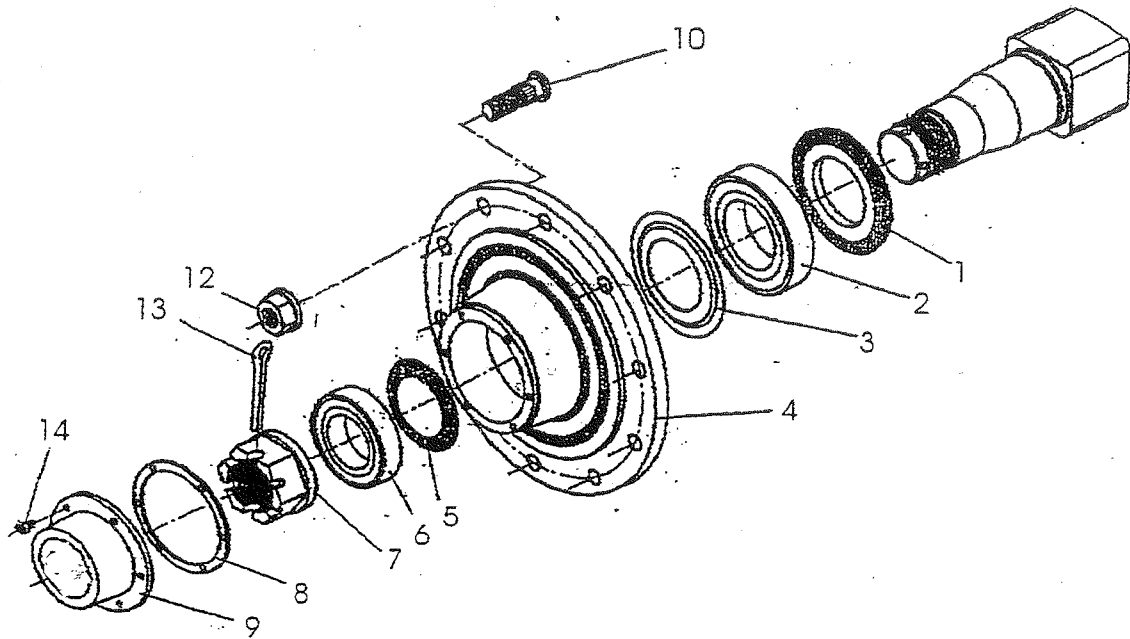
<i>Fig.</i>	<i>SR-no.</i>	<i>Omschrijving</i>	<i>Description</i>
	435.0550	Wielas 1008/200-8H/30S	Wheel axle 100/200-8H/30S
1	452.0323	Remtrommel 300x135!	Brake drum 300x135!
3	452.1603	Remschoen 300x90	Brake shoe 300x90
6	316.0918	Veerring 24mm	Spring ring 24mm
7	306.0717	Moer M24x1,5	Nut M24x1,5
8	452.0345	Trekveer 300x90	Draw spring 300x90
14	450.0629	Wielbout M20x1,5 L=70	Wheel bolt M20x1,5 L=70
15	450.0630	Wielmoer M20x1,5	Wheel nut M20x1,5
15a	450.0631	Bolle veerring C20mm	Spring ring C20mm
16	452.0364	Dichtring	Sealing ring
17	401.0145	Kegellager buiten 33212	Cone bearing outside 33212
18	401.0196	Kegellager binnen 32215	Cone bearing inside 32215
19	452.0358	Kroonmoer M48x1,5/75	Castle nut M48x1,5/75
20	375.0142	Splitpen 4x80	Split pin 4x80
21	452.0354	Naafdop Ø110	Hub cap Ø110
22	452.0311	Wielnaaf	Radnabe
23	452.0343	Trekveer	Draw spring
24	452.0385	Remhefboom 32	Brake lever 32
25	452.0402	Remcilinder 25mm	Brake cylinder 25mm
26	920.0673	Scharnierpen 20mm	Pivoting pin 20mm
27	316.0725	Sluitring A21	Washer A21
28	375.0118	Splitpen 5x30	Split pin 5x30
29	349.0076	Pen 14mm	Pin 14mm
30	316.0741	Sluitring A15	Washer A15
31	375.0122	Splitpen 3x25	Split pin 3x25



20. WHEEL AXLES COLAERT TYP EUR 1110-408E (BRAKE 400×80) RAPIDE 135 BIS 370

20. WIELASSEN COLAERT TYPE EUR 1110-408E (REM 400×80) RAPIDE 135 T/M 370

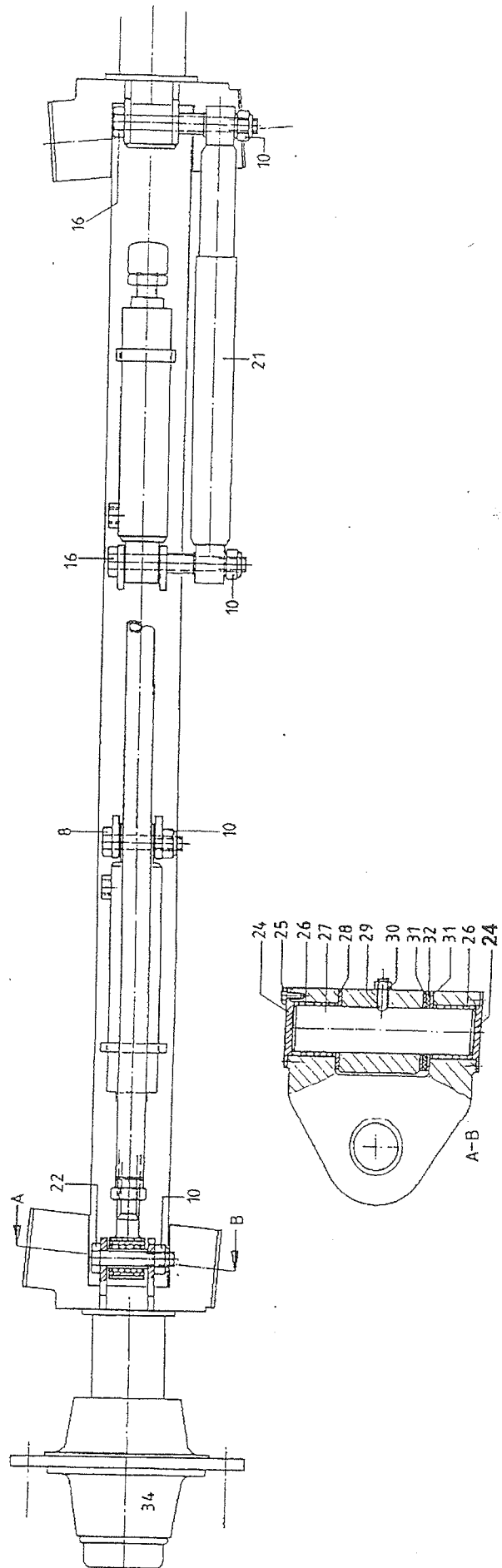
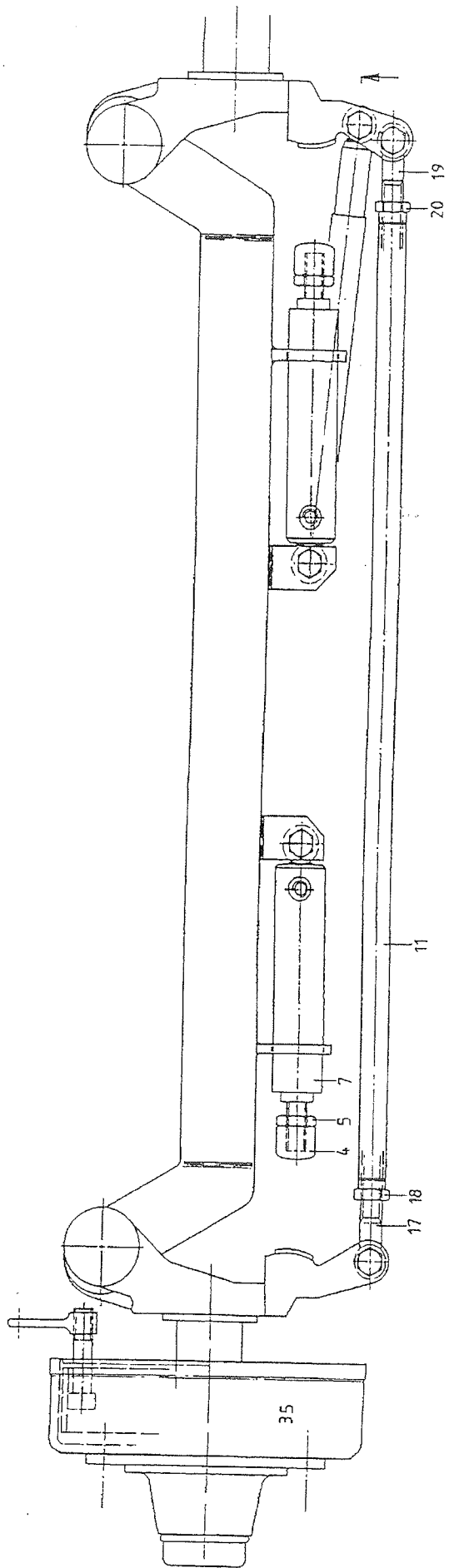
<i>Fig.</i>	<i>SR-nr.</i>	<i>Omschrijving</i>	<i>Description</i>
-	435.2464	Wielas 1110-200(408E) Rap.135	Wheel axle 1110-200(408E) Rap. 135
	435.0819	Wielas 1110-200(408E) Rap.165;205;360	Wheel axle 1110-200(408E) Rap.165;205;360
	435.0820	Wielas 1110-220 (408E) Rap. 240; 370	Wheel axle 1110-220 (408E) Rap.240; 370
31	452.0445	Steunring met dichtring	Supportingring with sealing
32	401.0403	Kegellager binnen 33118	Cone bearing 33118
33	452.0527	Dichtschiif 33118	Sealing disc 33118
34	452.0328	Remtrommel 400x80	Brake drum 400×80
35	452.0525	Wielnaaf	Wheel hub
36	452.0526	Dichtschiif	Sealing disc
37	401.0402	Kegellager buiten 33215	Cone bearing 33215
38	375.0127	Splitpen 10x100	Split pin 10x100
39	452.0386	Kroonmoer M70x2-R90	Castle nut M70x2-R90
40	452.0483	Pakkingring	Sealing ring
41	452.0528	Naafdop St.c. 144	Hub cap St.c. 144
42	452.0335	Wielbout M22x1,5 L=96	Wheel bolt M22x1,5 L=96
43	450.0735	Bolle veerring 22mm	Cone spring ring 22mm
44	450.0736	Wielmoer M22x1,5	Wheel nut M22x1,5
45	302.0606	Cilinderkopbout M8x12	Cylinder head bolt M8x12
46	452.1605	Remschoen-set 408E (incl. 47 en 48)	Brake shoe w. lining-set 408E (inkl. 47 and 48)
47	452.1702	Trekveer-set	Draw spring-set
48	452.1003	Rembout 408E	Brake bolt 408E
49	452.1007	Remas	Brake shaft
50	452.1852	Lagerbus	Bearing bush
51	452.1005	Remhefboom 32	Brake lever 32
53	313.0106	Borgring A-25	Locking ring A-25
54	452.0387	Remhefboom Li. GS	Brake lever GS-Li.
	452.0399	Remhefboom Re. GS	Brake lever GS-Re.
55	313.0112	Borgring A-38	Locking ring A-38
56	316.0727	Sluitring A26	Washer A26
57	306.0318	Borgmoer M24x1,5	Locking nut M24x1,5



21. Wheel axles Colaert (Typ EUR 1110-412S) Rapide 165 bis 370

21. WIELASSEN COLAERT (TYPE EUR 1110-412S) Rapide 165 t/m 370

<i>Fig.</i>	<i>SR-no.</i>	<i>Omschrijving</i>	<i>Description</i>
-	955.0550	Wielas EUR 1110/200-412S Rap.165;205;360	Wheel axle 1110/200-412S Rap.165;205;360
-	955.0553	Wielas EUR 1110/220-412S Rap. 240; 370	Wheel axle 1110/220-412S Rap. 240; 370
1	452.0445	Steunring met afdichting 92/150	Supporting ring with sealing 92/150
2	401.0403	Kegellager 33118	Cone bearing 33118
3	452.0527	Dichtschiif	Sealing disc
4	452.0525	Wielnaaf	Wheel hub
5	452.0526	Dichtschiif	Sealing disc
6	401.0402	Kegellager 33215	Cone bearing 33215
7	452.0386	Kroonmoer M70x2-90R	Castle nut M70x2-90R
8	452.0482	Pakkingring	Seal ring
9	452.0529	Naaafdop 130	Hub cap 130
10	452.0335	Wielbout M22x1,5-96	Wheel bolt M22x1,5-96
12	452.0593	Wielmoer M22x1,5-vlak	Wheel nut M22x1,5
12a	450.0735	Conische veerring 22mm	Con spring ring 22mm
13	375.0127	Splitpen 10x100	Split pin 10x100
14	302.0606	Cilinderkopbout M8x12	Cylinder head bolt M8x12
21	452.0507	Remhefboom GS-10Z	Brake lever GS-10Z
22	306.0306	Borgmoer M10	Locking nut M10
23	452.0492	Set afdichtplaten 110	Set of seal plate 110
24	452.0493	Glijlager	Bearing bush
25	452.0494	O-ring	O-ring
26	452.0549	Remas S-10T/L670	Brake shaft S-10T/L670
	452.0550	Remas Z-10T/L670	Brake shaft Z-10T/L670
27	313.0102	Borgring A-20	Locking ring A-20
28	452.0490	Rolpen	Roller pin
29	452.0491	Rol	Roller
30	452.1630	Remvoering-set 406x120 (incl. 31; 33; 35)	Brake lining-set 406x120 (incl. 31; 33; 35)
31	452.0487	Klinknagel	Rivet
32	452.0484	Remschoen met voering 412S (406x120)	Brake shoe with lining 412S (406x120)
33	452.0489	Veerspanstuk	Spring clamp
34	452.0329	Remtrommel 406x120	Brake drum 406x120
35	452.1703	Trekveer-set (incl. 33)	Draw spring-set (incl.33)
36	313.0126	Borgring A-42	Locking ring A-42
37	452.0022	Manchet	Sealing bush
38	452.0497	Glijlager	Bearing bush
39	452.0524	Draadring	Wire ring
40	313.0106	Borgring A-25	Locking ring A-25
41	316.0727	Sluitring 26mm	Washer 26mm

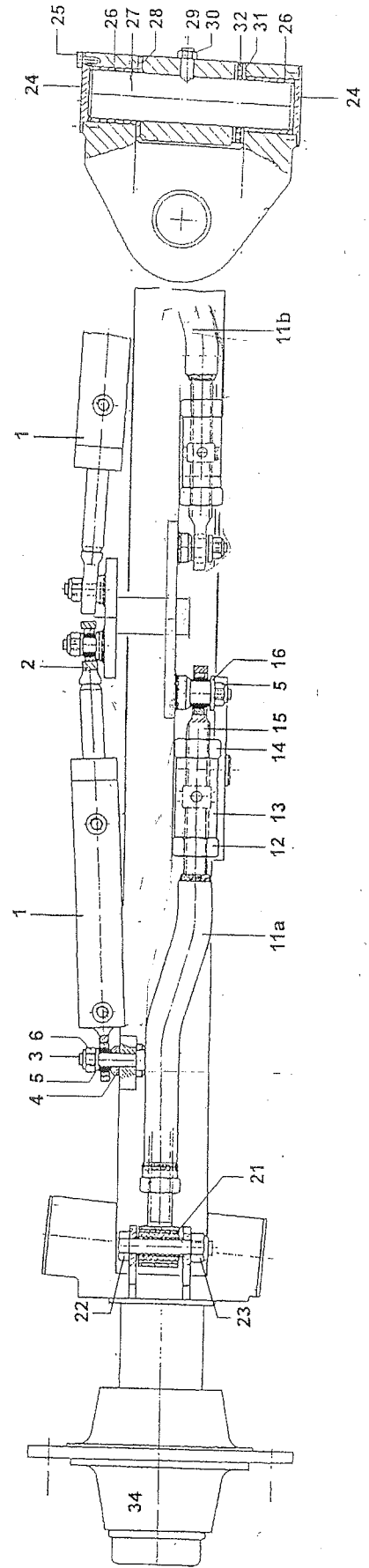
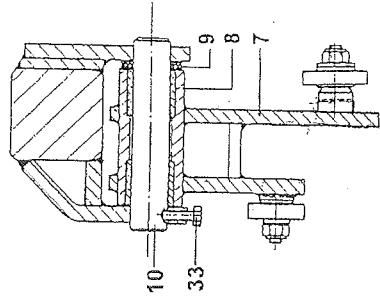
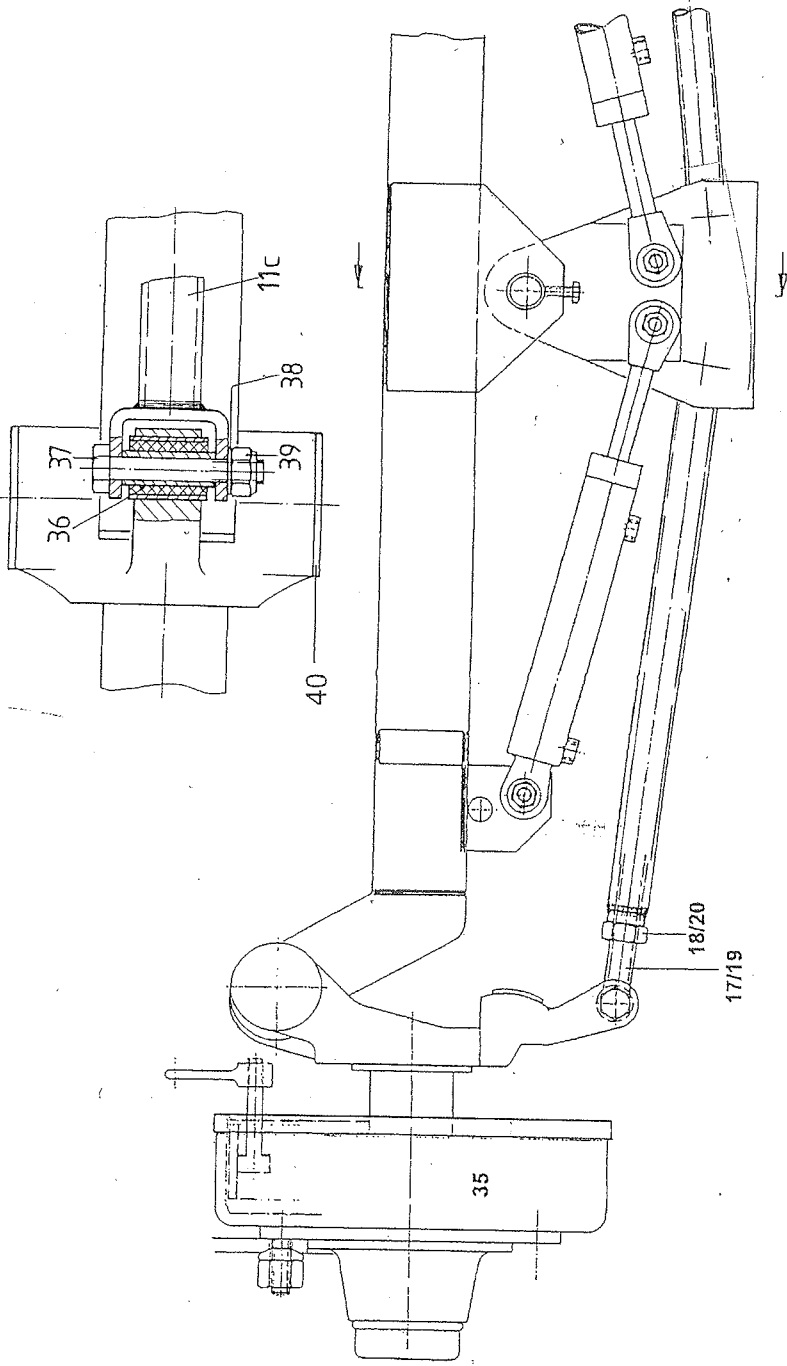


22. SELF STEERING WHEEL AXLE RAPIDE 130E; 165; 205; 240

22. MEELOPEND GESTUURDE WIELAS RAPIDE 130E; 165; 205; 240

Drawing no. 975.0014

<i>Fig.</i>	<i>SR-no.</i>	<i>Omschrijving</i>	<i>Description</i>
1	435.0805	Volg-as EUR 1008/200-309 Rap. 130E	Self-steering axle EUR 1008/200 Rap. 130E
	435.0819	Volg-as EUR 1110/200-408 Rap. 165; 205	Self-steering axle EUR 1110/200 Rap.165;205
	435.0820	Volg-as EUR 1110/220-408 Rap. 240	Self-steering axle EUR 1110/220 Rap. 240
4	452.0405	Dopmoer M27×3	Capped nut M27×3
5	306.0368	Moer M27x3	Nut M27x3
7	452.0404	Arreteercilinder	Stop-motion cylinder
8	301.0781	Bout M20x130	Bolt M20x130
10	306.0314	Borgmoer M20	Locking nut M20
11	452.0401	Spoorstang M30x3,5L/R-1220	Control lever M30x3,5L/R-1220
16	301.0795	Bout M20x190	Bolt M20x190
17	452.0396	Draadeind M30x3,5L (incl. 17a)	Threaded end M30x3,5L (incl. 17a)
17a	452.0398	Elastische lagerbus 20/38	Elastic bearing bush 20/38
18	306.0361	Moer M30x3,5L	Nut M30x3,5L
19	452.0397	Draadeind M30x3,5R (incl. 17a)	Threaded end M30x3,5R (incl. 17a)
20	306.0362	Moer M30x3,5R	Nut M30x3,5R
21	452.0406	Schokdemper	Shock absorber
22	301.0771	Bout M20x90	Bolt M20x90
24	452.0395	Sluitdeksel	Cover
25	301.0806	Bout M8x20	Bolt M8x20
26	452.0391	Lagerbus	Bearing bush
27	452.0390	Fusee-as	Swivel pin shaft
28	452.0393	Axiaalschijf	Axial disc
29	304.0115	Stelschroef M16x30	Setscrew M16x30
30	306.0702	Moer M16	Nut M16
31	452.0394	Vulschijf	Filler disc
32	452.0393	Axiaalschijf	Axial disc
33	301.0835	Bout M8x30	Bolt M8x30
34	-	Asstomp 130E (zie blz. 41)	Shaft end 130E (See page 41)
	-	Asstomp 165; 205; 240 (zie blz. 43)	Shaft end 165; 205; 240 (See page 43)

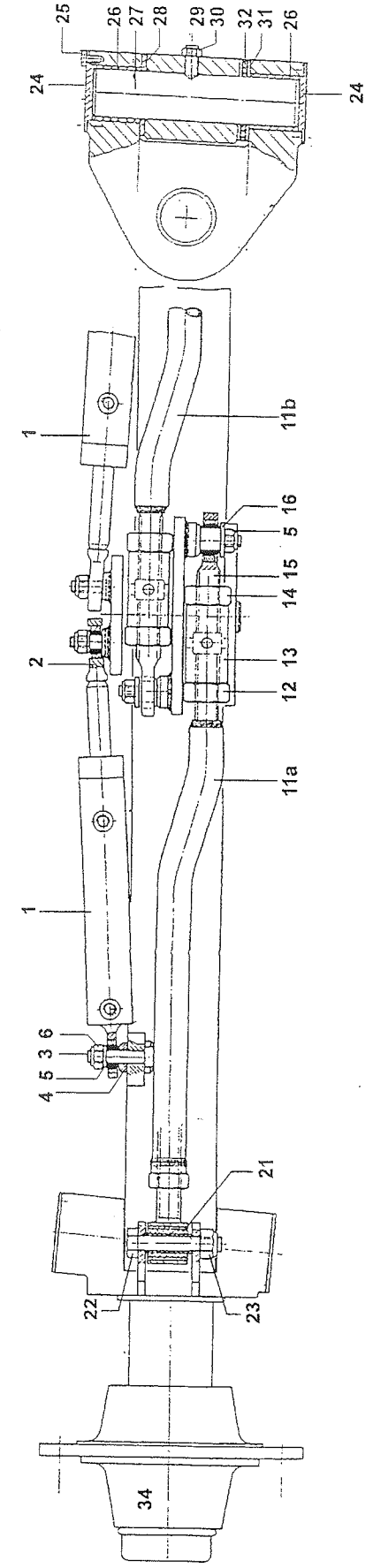
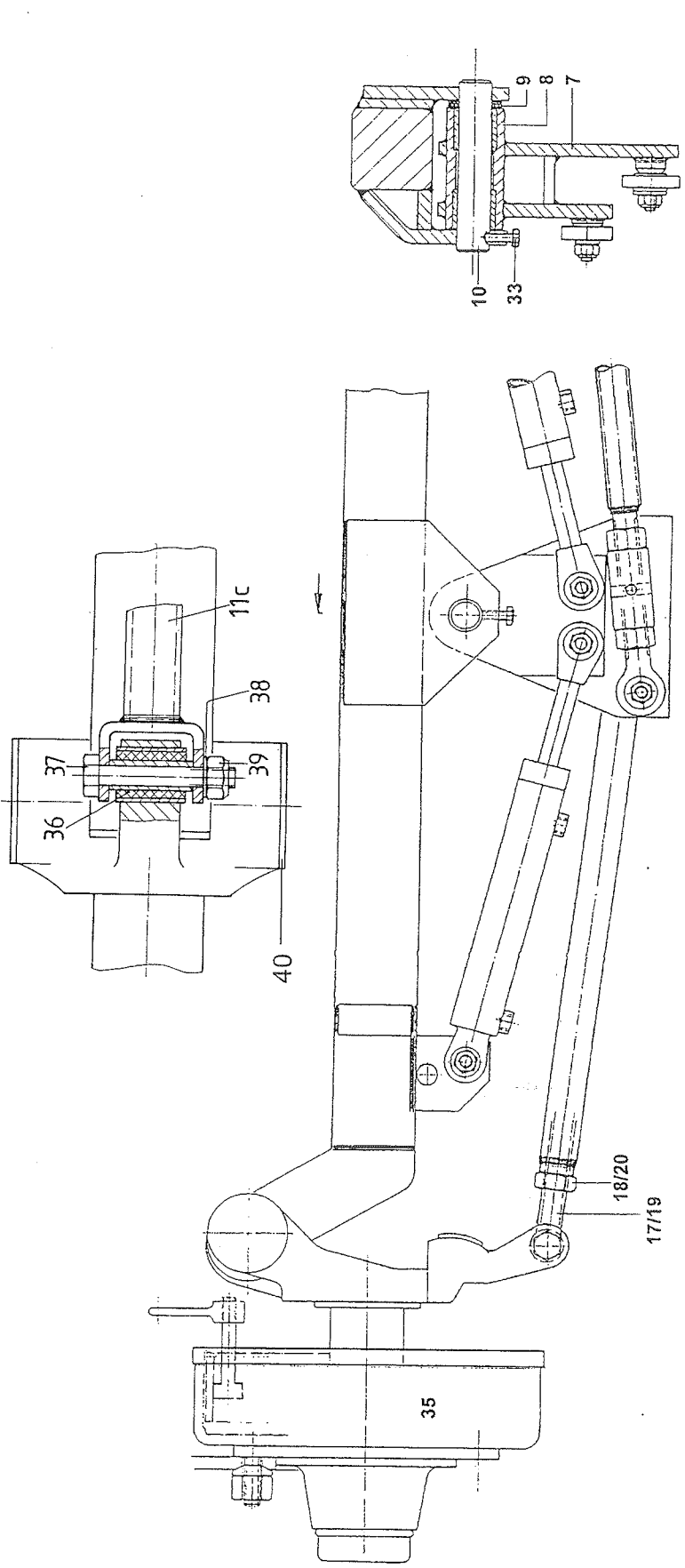


23. STEERING FRONT AXLE RAPIDE 360 AND 370

23. GEDWONGEN GESTUURDE VOORAS RAPIDE 360 EN 370

Drawing no. 975.0014

Fig.	SR-no.	Omschrijving	Description
-	955.7012	Stuuras-voor EUR 1110/200-408E Rap. 360	Steering axle EUR 1110/200-408E Rap. 360
	955.7008	Stuuras-voor EUR 1110/220-408E Rap. 370	Steering axle EUR 1110/220-408E Rap. 370
1	355.0442	Hydr. cilinder D50/25-440	Hydr. cylinder D50/25-440
1a	450.0782	Set afdichtingen t.b.v. 1	Set of seals for 1
2	401.0228	Stangkop GIHR 20 DO (incl. 2a)	Rod end GIHR 20 DO (incl. 2a)
2a	401.0191	Kogelgewrichtslager GE 20 DO	Ball joint GE 20 DO
3	921.0065	Cilinderpen	Cylinder pin
4	926.0099	Tussenring	Filler disc
5	316.0707	Sluistring A17	Washer A17
6	306.0303	Borgmoer M16	Locking nut M16
7	968.0683	Stuurplaat-V	Steering plate-V
8	927.0121	Glijlagerbus	Bearing bush
9	403.0112	Axiaalschijf AS-4060	Axial disc AS-4060
10	920.0793	Stuurplaatpen	Steering pin
12	306.0113	Moer M30x2-R	Nut M30x2-R
13	920.0567	Stelbus M30x2-L/R	Adjustment bush M30x2-L/R
14	306.0112	Moer M30x2-L	Nut M30x2-L
15	401.0173	Stangkop GAL 30 DO (incl. 15a)	Rod end GAL 30 DO (incl. 15a)
15a	401.0186	Kogelgewrichtslager GE 30 DO	Ball joint GE 30 DO
16	316.0737	Sluitplaat A17	Washer A17
17	452.0396	Draadeind met bus M30x3,5L	Threaded end with bush M30x3,5L
18	306.0361	Moer M30x3,5L	Nut M30x3,5L
19	452.0397	Draadeind met bus M30x3,5R	Threaded end with bush M30x3,5R
20	306.0362	Moer M30x3,5R	Nut M30x3,5R
21	452.0398	Elastische lagerbus 30/38	Elastic bearing bush 30/38
22	301.0771	Bout M20x90	Bolt M20x90
23	306.0314	Borgmoer M20	Locking nut M20
24	452.0395	Sluitdeksel	Cover
25	301.0806	Bout M8x20	Bolt M8x20
26	452.0391	Lagerbus 60	Bearing bush 60
27	452.0390	Fusee-as 60	Swivel pin shaft 60
28	452.0392	Axiaalschijf	Axial disc
29	304.0115	Stelshroef M16x30	Set screw M16x30
30	306.0702	Moer M16	Nut M16
31	452.0394	Vulschijf	Filler disc
32	452.0393	Axiaalschijf	Axial disc
33	301.0835	Bout M8x30	Bolt M8x30
34	-	Asstomp (zie blz. 43)	Shaft end (See page 43)

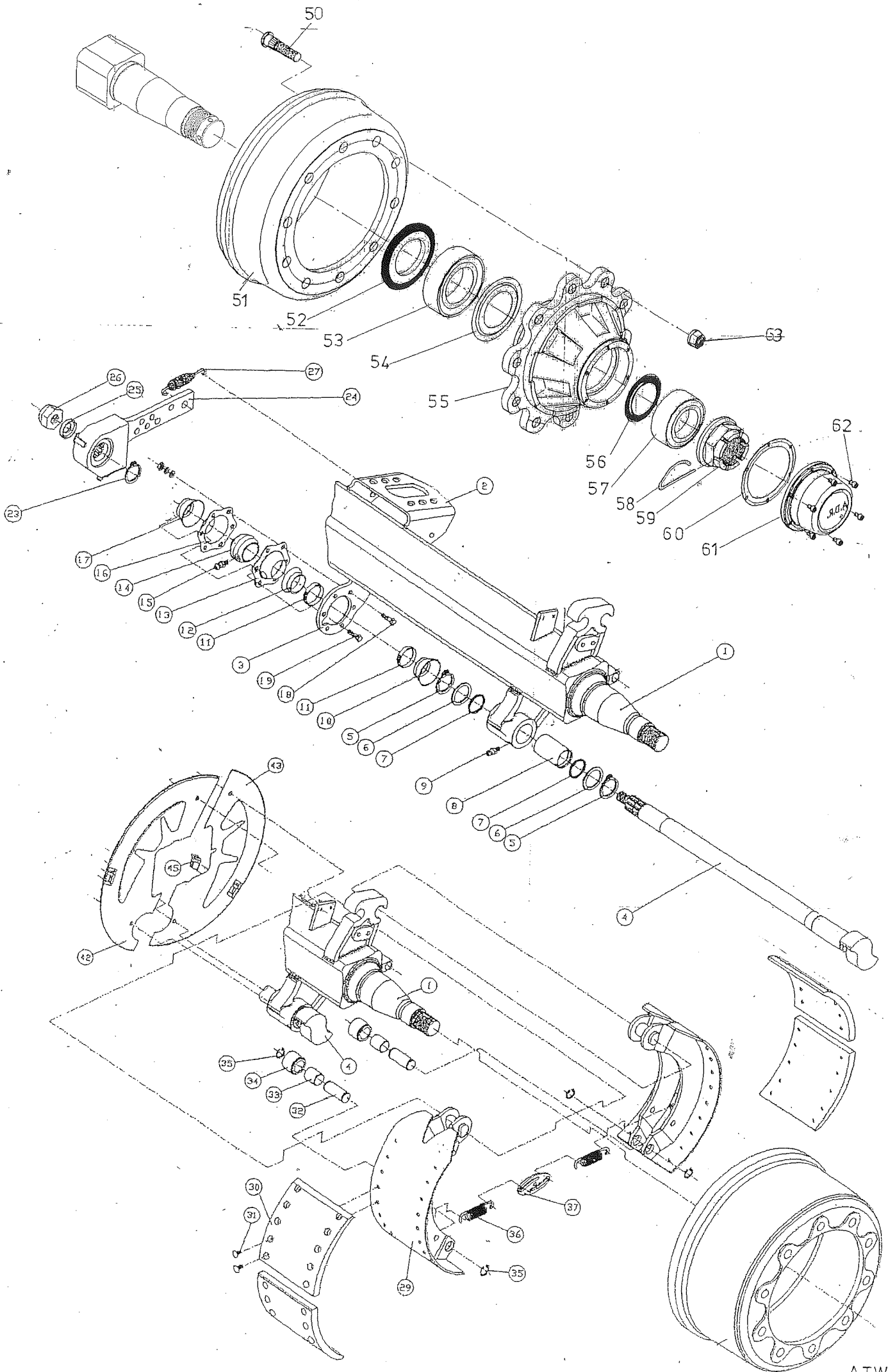


24. STEERING REAR AXLE RAPIDE 360 AND 370

24. GEDWONGEN GESTUURDE ACHTERAS RAPIDE 360 EN 370

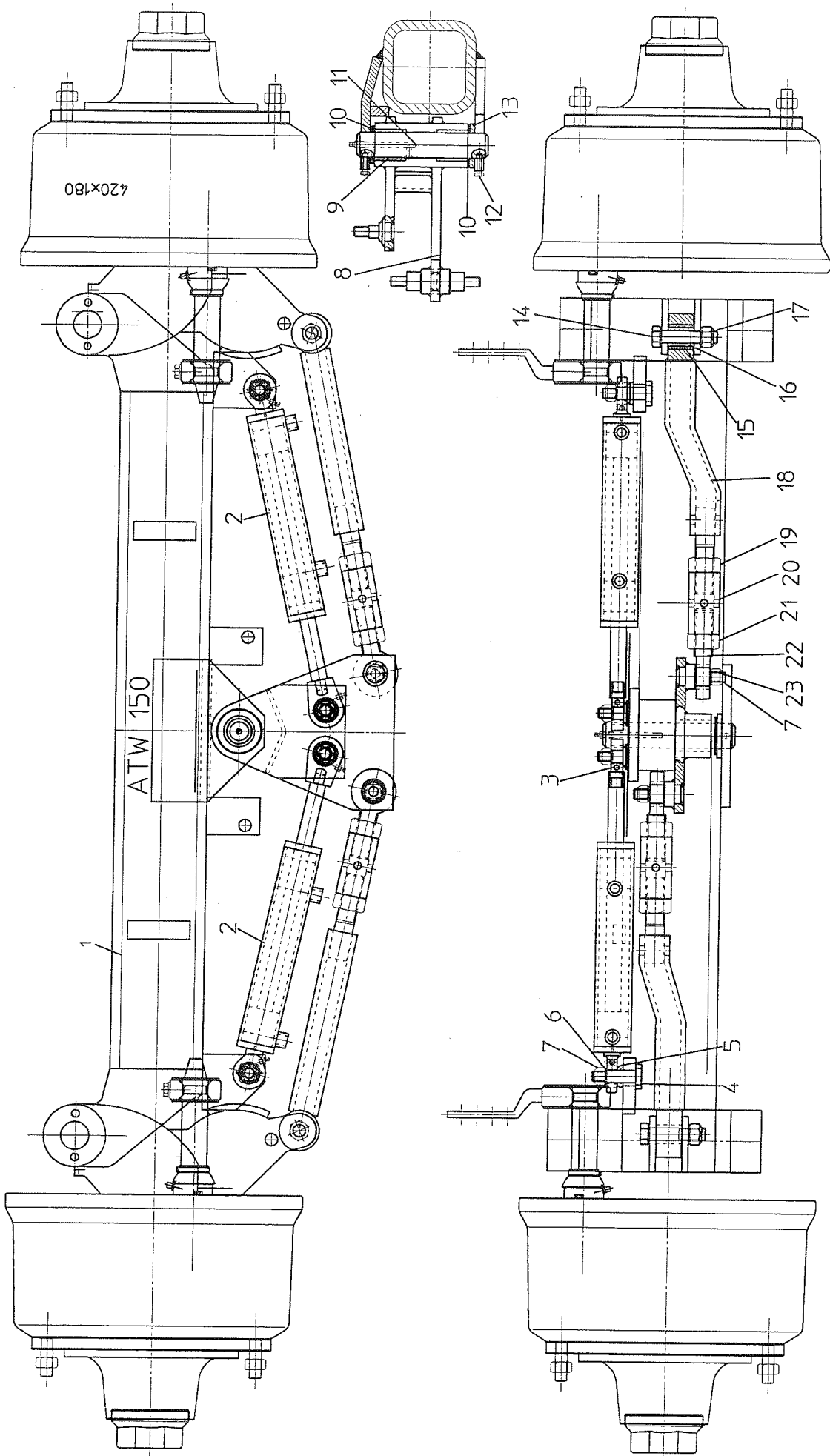
Drawing no. 975.0014

Fig.	SR-no.	Omschrijving	Description
-	955.7013	Stuuras EUR 1110/200-408E Rap. 360	Steering axle EUR 1110/200-408E Rap.360
	955.7009	Stuuras EUR 1110/220-408E Rap. 370	Steering axle EUR 1110/220-408E Rap.370
1	355.0442	Hydr. cilinder D50/25-440	Hydr. cylinder D50/25-440
1a	450.0782	Set afdichtingen t.b.v. 1	Set of seals for 1
2	401.0228	Stangkop GIHR 20 DO (incl. 2a)	Rod end GIHR 20 DO (incl. 2a)
2a	401.0191	Kogelgewrichtslager GE 20 DO	Ball joint GE 20 DO
3	921.0065	Cilinderpen	Cylinder pin
4	926.0099	Tussenring	Filler disc
5	316.0707	Sluitring A17	Washer A17
6	306.0303	Borgmoer M16	Locking nut M16
7	966.0892	Stuurplaat-A	Steering plate-A
8	927.0121	Glijlagerbus	Bearing bush
9	403.0112	Axiaalschijf AS-4060	Axial disc AS-4060
10	920.0793	Stuurplaatpen	Steering pin
12	306.0113	Moer M30x2-R	Nut M30x2-R
13	920.0567	Stelbus M30x2-L/R	Adjustment bush M30x2-L/R
14	306.0112	Moer M30x2-L	Nut M30x2-L
15	401.0173	Stangkop GAL 30 DO (incl.15a)	Rod end GAL 30 DO (incl.15a)
15a	401.0186	Kogelgewrichtslager GE 30 DO	Ball joint GE 30 DO
16	316.0737	Sluitplaat A17	Washer A17
17	452.0396	Draadeind met bus M30x3,5L	Threaded end with bush M30x3,5L
18	306.0361	Moer M30x3,5L	Nut M30x3,5L
19	452.0397	Draadeind met bus M30x3,5R	Threaded end with bush M30x3,5R
20	306.0362	Moer M30x3,5R	Nut M30x3,5R
21	452.0398	Elastische lagerbus 30/38	Elastic bearing bush 30/38
22	301.0771	Bout M20x90	Bolt M20x90
23	306.0314	Borgmoer M20	Locking nut M20
24	452.0395	Sluitdeksel	Cover
25	301.0806	Bout M8x20	Bolt M8x20
26	452.0391	Lagerbus 60	Bearing bush 60
27	452.0390	Fusee-as 60	Swivel pin shaft 60
28	452.0392	Axiaalschijf	Axial disc
29	304.0115	Stelshroef M16x30	Set screw M16x30
30	306.0702	Moer M16	Nut M16
31	452.0394	Vulschijf	Filler disc
32	452.0393	Axiaalschijf	Axial disc
33	301.0835	Bout M8x30	Bolt M8x30
34	-	Asstomp (zie blz. 43)	Shaft end (See page 43)



25. WHEEL AXLE CENTRE ATW TYPE 1510-4218S (REM 420x180) (RAPIDE 360-WI)
25. WIELAS -MIDDEN ATW TYP 1510-4218S (BRAKE 420x180) (RAPIDE 360-WI)

<i>Fig.</i>	<i>SR-nr.</i>	<i>Omschrijving</i>	Description
-	955.5005	Wielas ATW-1510 Sp.200/4218S	Wheel axle ATW-1510 Sp.200/4218S
4	452.5046	Remas Li. L=300	Brake shaft Left L=300
	452.5047	Remas Re. L=300	Brake shaft Right L=300
5	313.0126	Borgring A42x1,75	Locking ring A42x1,75
6	452.5044	Schijf	Disc
7	365.0022	O-ring 40,2x3	O-ring 40,2x3
8	452.5043	Glijlager	Bearing bush
9	342.0104	Smeernippel M10-45	Grease nipple M10-45
10	452.6029	Rubber dichtring D41/25	Rubber sealing ring D41/25
11	452.5045	Klemband	Clamp
12	452.6005	Rubber dichtring D41/20	Rubber sealing ring D41/20
13	452.6002	Lagerflens met smeernippel	Bearing plate with grase nipple
14	452.6004	Remas-lagerbus	Bearing bush
15	342.0110	Smeernippel M8-45	Grease nipple M8-45
16	452.6003	Lagerflens	Bearing plate
17	452.6029	Rubber dichtring D41/25	Rubber sealing ring D41/25
18	301.0806	Bout M8x20	Bolt M8x20
19	301.0802	Bout M8x25	Bolt M8x25
20	306.0705	Moer M8	Nut M8
21	316.0905	Veerring 8mm	Spring ring 8mm
22	316.0703	Sluitring A8,4	Washer A8,4
23	313.0409	Borgring SW 38x1,5	Locking ring SW 38x1,5
24	452.5017	Remhefboom GS	Brake lever GS
25	452.0611	Schijf 22mm	Disc 22mm
26	452.0612	Borgmoer M22x1,5-15	Locking nut M22x1,5-15
27	452.5016	Trekveer	Draw spring
29	452.5018	Remschoenset cpl. 4218-cpl.	Brake shoe set cpl. 4218-kpl.
30	452.5019	Remvoering 4218	Brake lining 4218
31	452.0617	Klinknagel B8x15	Rivet B8x15
32	452.5038	Rolpen	Bolt
33	452.5039	Rolbus	Bush
34	452.5040	Rol	Roller
35	313.0106	Borgring A-25	Locking ring A-25
36	452.5041	Trekveer	Draw spring
37	452.5042	Veerspanstuk	Spring clamp
50	452.0335	Wielbout M22x1,5-96	Wheel bolt M22x1,5-96
51	452.5020	Remtrommel 4218-10	Brake drum 4218-10
52	452.0530	Steunring met dichtring	Supporting ring with sealing
53	401.0404	Kegellager 33020	Cone bearing 33020
54	452.0531	Dichtschijf	Sealing disc
55	452.0310	Wielnaaf	Wheel hub
56	452.0503	Dichtschijf	Sealing disc
57	401.0402	Kegellager 33215	Cone bearing 33215
58	452.0591	Steekborgveer	Locking ping
59	452.0386	Kroonmoer M70x2/90	Castle nut M70x2/90
60	452.0483	Pakkingring Stc.144	Sealing disc Stc.144
61	452.0592	Naafdop ADR Stc.144	Hub cap ADR Stc.144
62	302.0606	Cilinderkopbout M8x12	Cylinder head bolt M8x12
63	452.0593	Wielmoer M22x1,5-vlak	Wheel nut M22x1,5
63a	450.0735	Conische veerring 22mm	Cone spring ring 22mm



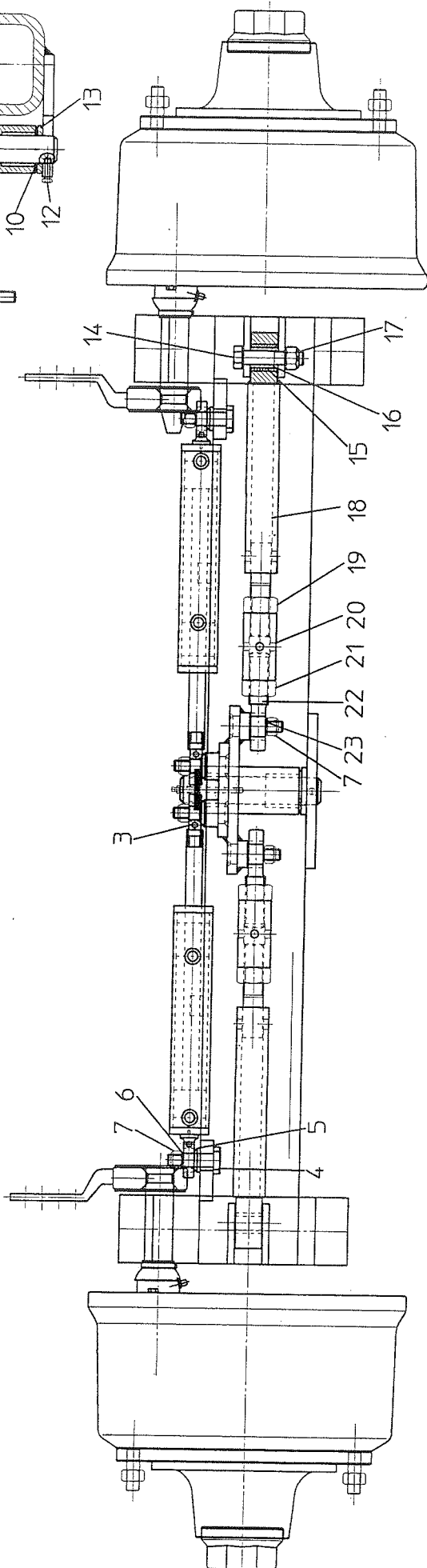
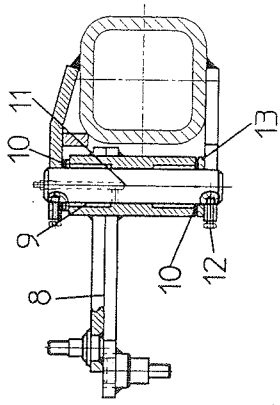
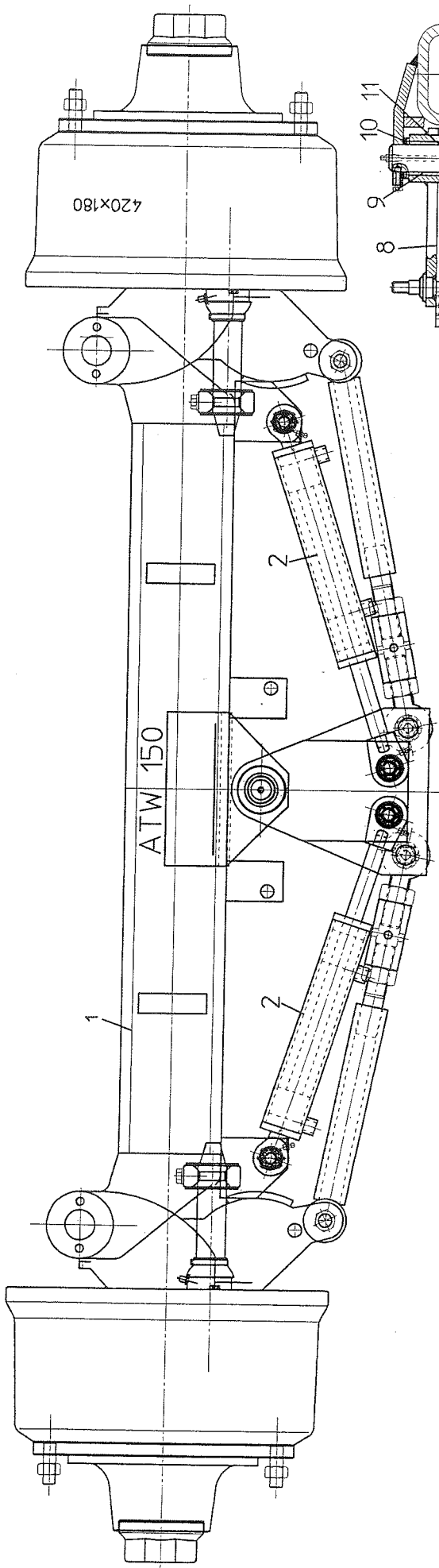
26. STEERING FRONT AXLE RAPIDE 360-WI

26. GEDWONGEN GESTUURDE VOORAS RAPIDE 360-WI

Tekeningnummer 955.7014.OC

Artikelnummer: 955.7014

<i>Fig.</i>	<i>SR-nr.</i>	<i>Omschrijving</i>	<i>Description</i>
-	955.7014	Wielas HST-voor ATW-150	Steering axle Front ATW-150
1	435.3202	Wielas gestuurd ATW-150	Steering axle ATW-150
2	355.0740	Hydr. cilinder D60/25-440 (incl. 2a en 3)	Hydr. cylinder D60/25-440 (incl. 2a und 3)
2a	454.0815	Set afdichtingen t.b.v. N° 2	Set of seals for 2
3	401.0228	Stangkop GIHR 20 DO (incl. 3a)	Rod end GIHR 20 DO (incl.3a)
3a	401.0191	Kogelgewrichtslager GE 20 DO	Ball joint GE 20 DO
4	921.0065	Cilinderpen D=20	Cylinderpen D=20
5	926.0099	Tussenring	Filler disc
6	316.0707	Sluitring A17	Washer A17
7	306.0303	Borgmoer M16	Locking nut M16
8	968.0683	Stuurplaat V	Steering plate V
9	927.0121	Glijlagerbus	Bearing bush
10	403.0112	Axiaalschijf AS-4060	Axial disc AS-4060
11	920.0793	Stuurplaatpen	Steering pin
12	301.0835	Bout M8x30	Bolt M8x30
13	926.0243	Ring 40/20-8	Ring 40/20-8
14	301.0774	Bout M20x100	Bolt M20x100
15	402.0126	Lagerbus 30/38-40	Bearing bush 30/38-40
16	926.0898	Bus 30/20-43	Bush 30/20-43
17	306.0314	Borgmoer M20	Locking nut M20
19	306.0113	Moer M30x2-R	Nut M30x2-R
20	920.0567	Stelbus M30x2-L/R	Adjustment bush M30x2-L/R
21	306.0112	Moer M30x2-L	Nut M30x2-L
22	401.0173	Stangkop GAL 30 DO (incl. 22a)	Rod end GAL 30 DO (incl. 22a)
22a	401.0186	Kogelgewrichtslager GE 30 DO	Ball joint GE 30 DO
23	316.0737	Sluitring A17	Washer A17
		Asstomp ATW-1510/4218S (zie blz. 53)	Shaft end ATW-1510/4218S (Page 53)



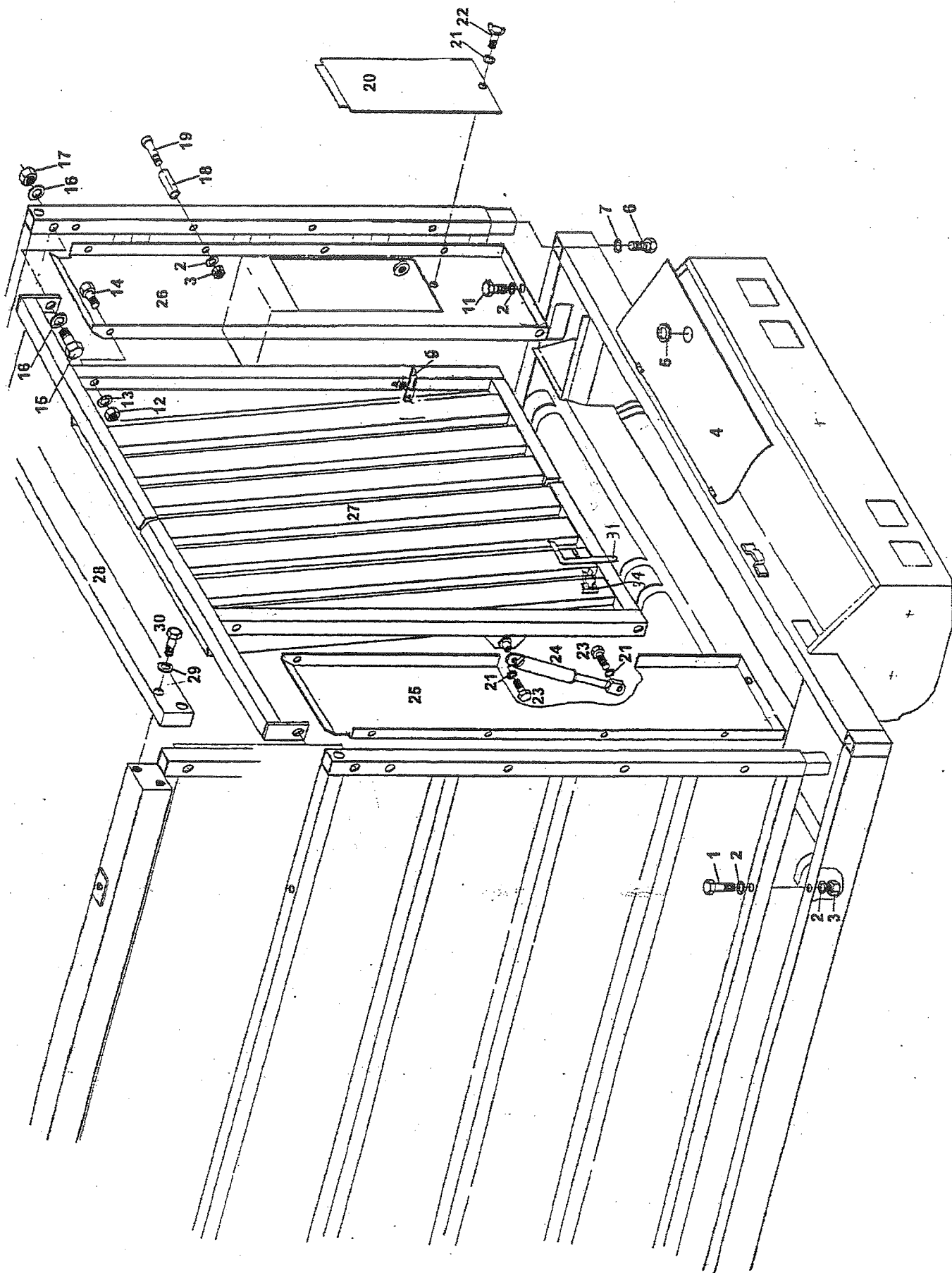
27. STEERING REAR AXLE RAPIDE 360-WI

27. GEDWONGEN GESTUURDE ACHTERAS RAPIDE 360-WI

Tekeningnummer 975.7015.OC

Artikelnummer: 955.7015

<i>Fig.</i>	<i>SR-nr.</i>	<i>Omschrijving</i>	<i>Description</i>
-	955.7015	Wielas HST-voor ATW-1510	Steering axle HST-front ATW-150
1	435.3202	Wielas gestuurd ATW-1510	Steering axle ATW-50
2	355.0740	Hydr. cilinder D60/25-440 (incl. 2a en 3)	Hydr. cylinder D60/25-440 (incl. 2a und 3)
2a	454.0815	Set afdichtingen t.b.v. N° 2	Set of seals for 2
3	401.0228	Stangkop GIHR 20 DO (incl. 3a)	Rod end GIHR 20 DO (incl.3a)
3a	401.0191	Kogelgewrichtslager GE 20 DO	Ball joint GE 20 DO
4	921.0065	Cilinderpen D=20	Cylinderpen D=20
5	926.0099	Tussenring	Filler disc
6	316.0707	Sluitring A17	Washer A17
7	306.0303	Borgmoer M16	Locking nut M16
8	966.0892	Stuurplaat A	Steering plate A
9	927.0121	Glijlagerbus	Bearing bush
10	403.0112	Axiaalschijf AS-4060	Axial disc AS-4060
11	920.0793	Stuurplaatpen	Steering pin
12	301.0835	Bout M8x30	Bolt M8x30
13	926.0243	Ring 40/20-8	Ring 40/20-8
14	301.0774	Bout M20x100	Bolt M20x100
15	402.0126	Lagerbus 30/38-40	Bearing bush 30/38-40
16	926.0898	Bus 30/20-43	Bush 30/20-43
17	306.0314	Borgmoer M20	Locking nut M20
19	306.0113	Moer M30x2-R	Nut M30x2-R
20	920.0567	Stelbus M30x2-L/R	Adjustment bush M30x2-L/R
21	306.0112	Moer M30x2-L	Nut M30x2-L
22	401.0173	Stangkop GAL 30 DO (incl. 22a)	Rod end GAL 30 DO (incl.22a)
22a	401.0186	Kogelgewrichtslager GE 30 DO	Ball joint GE 30 DO
23	316.0737	Sluitring A17	Washer A17
		Asstomp ATW-1510/4218S (zie blz. 53)	Shaft end ATW-1510/4218S (Page 53)

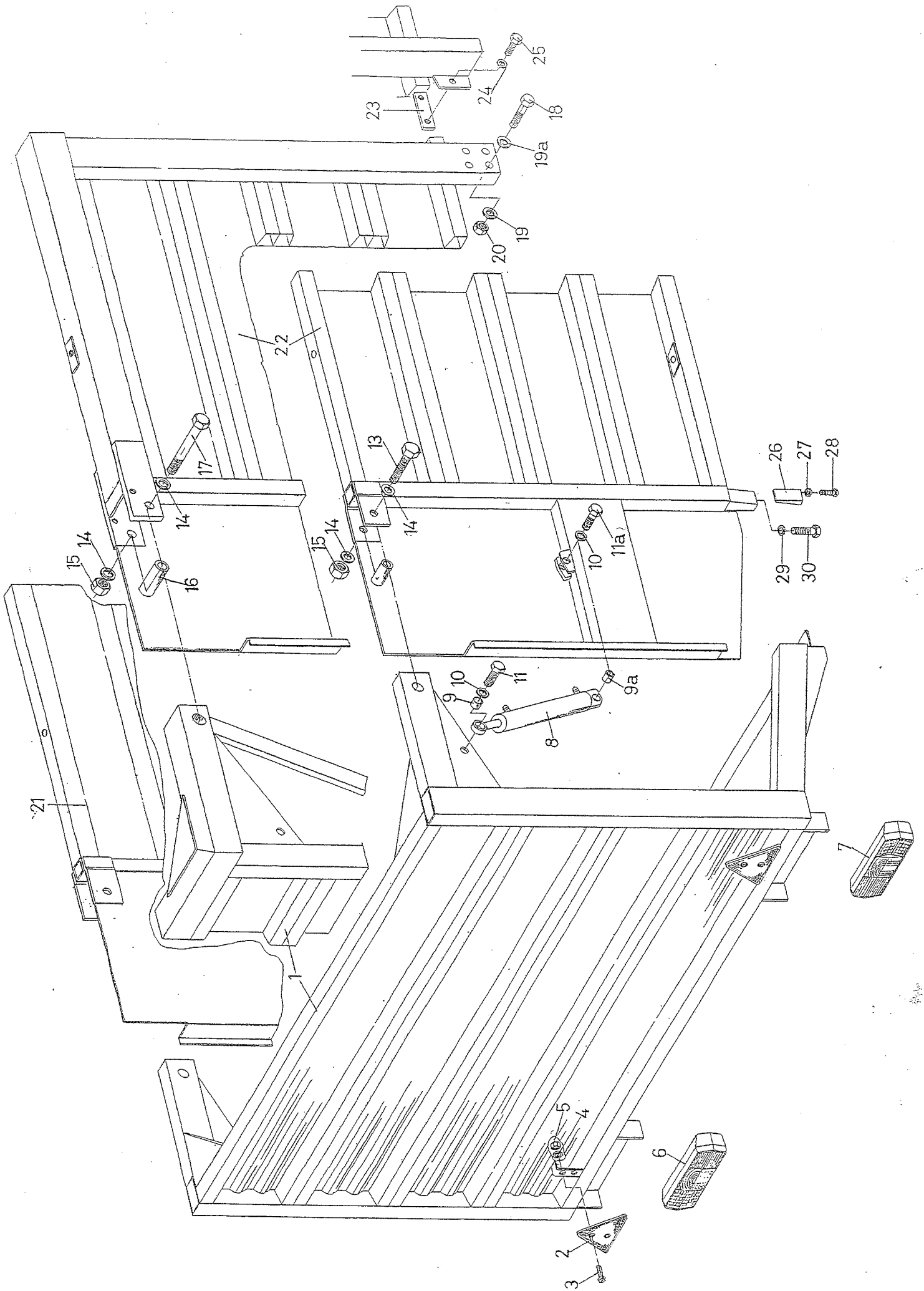


28. FRONT PANEL

28. VOORWAND

Drawing no. 975.0001

<i>Fig.</i>	<i>SR-no.</i>	<i>Omschrijving</i>	<i>Description</i>
1	301.0739	Bout M10x90	Bolt M10x90
2	316.0705	Sluitring A10,5	Washer A10,5
3	306.0306	Borgmoer M10	Locking nut M10
4	937.1765	Deksel-160 Rap. 130E	Protective cover-160 Rap. 130E
	937.1766	Deksel-175 Rap. 135; 165; 205	Protective cover-175 Rap. 135; 165; 205
	937.1767	Deksel-200 Rap. 240; 360; 370	Protective cover-200 Rap. 240; 360; 370
6	301.0836	Bout M16x45 Rap. 100	Bolt M16x45 Rap. 100
	301.0787	Bout M16x200	Bolt M16x200
7	316.0915	Nord-lock borgring NL16	Nord-lock locking ring NL16
9	371.0294	Tuimelsluiting	Rocker fastening
11	301.0809	Bout M10x20	Bolt M10x20
12	306.0303	Borgmoer M16	Locking nut M16
13	316.0707	Sluitring A17	Washer A17
14	301.0759	Bout M16x80	Bolt M16x80
15	301.0771	Bout M20x90	Bolt M20x90
16	316.0725	Sluitring A21	Washer A21
17	306.0314	Borgmoer M20	Locking nut M20
18	925.0393	Busje L37	Bush L37
19	302.0603	Cilinderkopbout M10x60	Cylinder head bolt M10x60
20	937.0841	Sluitplaat	Locking plate
21	316.0703	Sluitring A8,4	Washer xA8,4
22	349.0063	Vleugelbout M8x20	Wing bolt M8x20
23	301.0750	Bout M8x35	Bolt M8x35
24	333.0001	Gasdrukveer	Gas pressure spring
25	961.0105	Voorwand-zijstuk rechts Rap. 130E	Front side piece right Rap. 130E
	961.0107	Voorwand-zijstuk rechts	Front side piece right
26	969.1144	Voorwand-zijstuk links Rap. 130E	Front side piece left Rap. 130E
	969.1145	Voorwand-zijstuk links	Front side piece left
	969.2629	Voorwand-zijstuk links Rap. 360	Front side piece left Rap. 360
27	969.2567	Voorwand 2221 Rap. 130E	Front panel 2221 Rap. 130E
	969.2568	Voorwand 2221 Rap. 165; 205; 360	Front panel 2221 Rap. 165; 205; 360
	969.2569	Voorwand 2421 Rap. 240; 370	Front panel 2421 Rap. 240; 370
28	968.0419	Bovenrand 22 Rap. 165; 205; 360	Top edge 22 Rap. 165; 205; 360
	961.0189	Bovenrand 24 Rap. 240; 370	Top edge 24 Rap. 240; 370
29	316.0702	Sluitring A13	Washer A13
30	301.0785	Bout M12x80	Bolt M12x80
31	961.0119	Grendelpen	Locking pin
34	330.0002	Borgveer	Locking spring

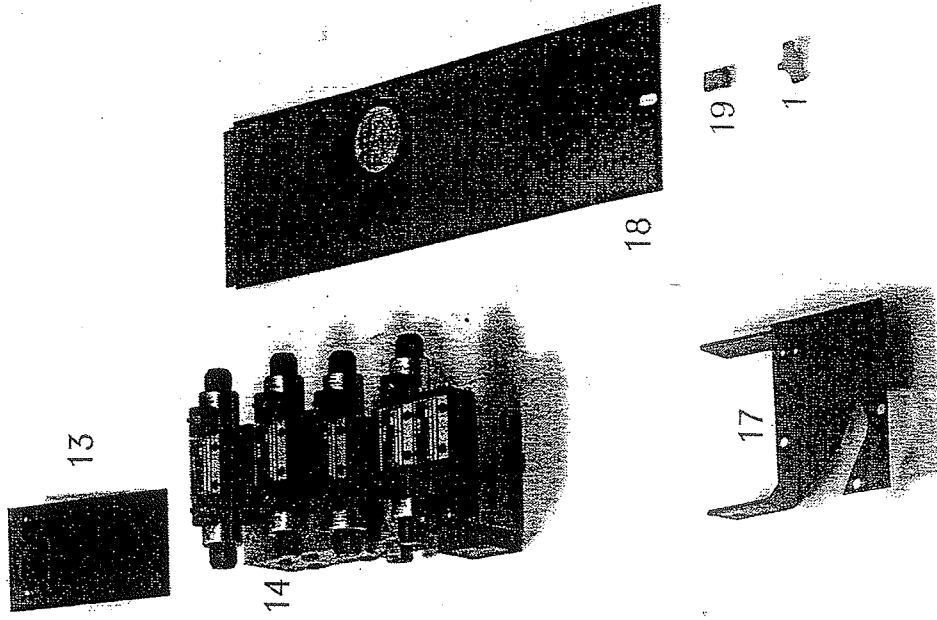
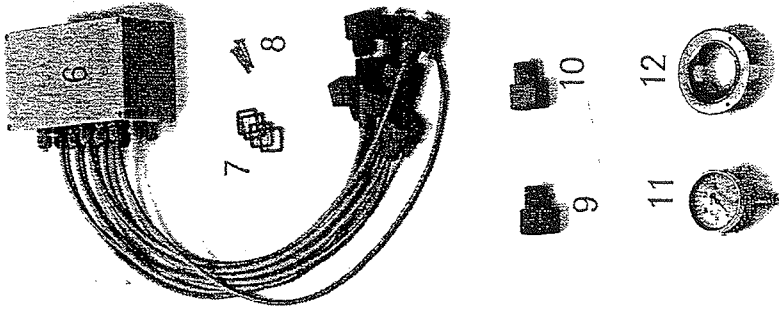
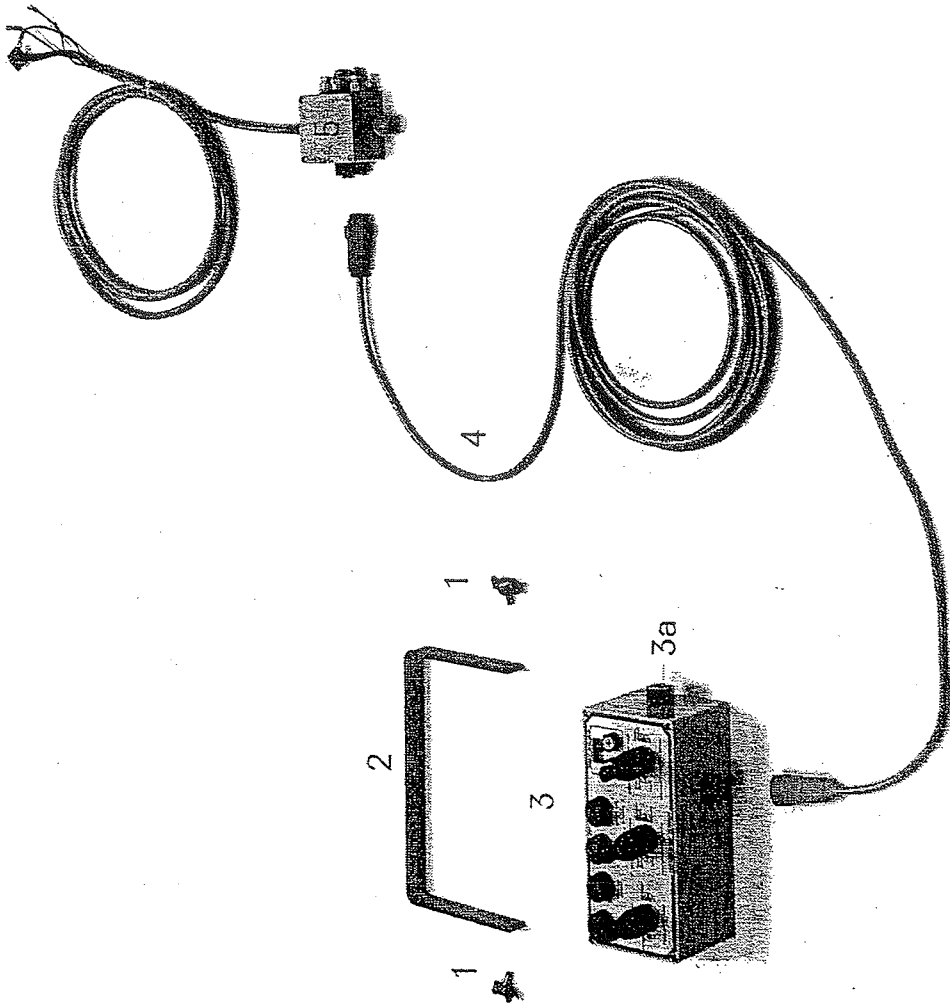


29. TAILGATE WITH SIDE BOARDS

29. ACHTERKLEP MET ZIJBORDEN

Drawing no. 975.0002

Fig.	SR-no.	Omschrijving	Description
1	951.0025	Achterklep Rap. 130E	Tailgate Rap. 130E
	969.1352	Achterklep Rap. 135	Tail gate Rap. 135
	951.0026	Achterklep Rap. 165; 205; 360	Tailgate Rap. 165; 205; 360
	951.0055	Achterklep Rap. 240; 370	Tailgate Rap. 240; 370
2	482.0201	Driehoek-reflector	Reflecting warning triangle
3	303.0937	Cilinderkopschroef M5x12	Cylinder head screw M5x12
4	316.0730	Sluitring A5,3	Washer A5,3
5	306.0335	Borgmoer M5	Locking nut M5
6	480.0026	Achterlamp links	Rear light left
7	480.0027	Achterlamp rechts	Rear light right
7a	482.0104	Glas voor achterlicht	Glass for rear light
8	355.3001	Hydr. cilinder D50/25-670 Rap. 130E	Hydr. Cylinder D50/25-670 Rap. 130E
	355.3002	Hydr. cilinder D50/25-875	Hydr. Cylinder D50/25-875
8a	454.0813	Set afdichtingen t.b.v. 8	Set of seals for 8
9	925.0711	Lagerbusje L=27,5	Bearing bush L=27,5
9a	925.0775	Lagerbusje L=31,5	Bearing bush L=31,5
10	316.0707	Sluitring A17	Washer A17
11	301.0746	Bout M16x55	Bolt M16x55
11a	301.0761	Bout M16x60	Bolt M16x60
12	925.0651	Scharnierbusje L=54 Rap. 130E	Knuckle L=54 Rap. 130E
13	301.0762	Bout M16x90 Rap. 130E	Bolt M16x90 Rap. 130E
14	316.0707	Sluitring A17	Washer A17
15	306.0702	Moer M16	Nut M16
16	925.0922	Scharnierbusje L=101	Knuckle L=101
17	301.0738	Bout M16x150	Bolt M16x150
18	301.0785	Bout M12x80	Bolt M12x80
19	316.0701	Sluitring A13	Washer A13
20	306.0302	Borgmoer M12	Locking nut M12
21	969.3141	Zijbord links Rap. 130E	Side board left Rap. 130E
	969.3611	Zijbord links Rap. 135	Side board left Rap. 135
	969.3613	Zijbord links Rap. 165	Side board left Rap. 165
	951.0184	Zijbord links cpl. Rap. 205; 240	Side board left complete Rap. 205; 240
21a	951.0186	Zijbord links cpl. Rap. 360; 370	Side board left complete Rap. 360; 370
	969.3615	Zijbord links Rap. 205; 240	Side board left Rap. 205; 240
	969.3617	Zijbord links Rap. 360; 370	Side board left Rap. 360; 370
21b	969.3118	Zijstuk v. achterklep Rap. 205; 240; 360;370	Side pice for tailgate Rap. 205; 240; 360;370
22	969.3142	Zijbord rechts Rap. 130E	Side board right Rap. 130E
	969.3612	Zijbord rechts Rap. 135	Side board right Rap. 135
	969.3614	Zijbord rechts Rap. 165	Side board right Rap. 165
	951.0185	Zijbord rechts cpl. Rap. 205; 240	Side board right complete Rap. 205; 240
22a	951.0187	Zijbord rechts cpl. Rap. 360; 370	Side board right complete Rap. 360; 370
	969.3616	Zijbord rechts Rap. 205; 240	Side board right Rap. 205; 240
	969.3618	Zijbord rechts Rap. 360; 370	Side board right Rap. 360; 370
22b	969.3119	Zijstuk v. achterklep Rap. 205; 240; 360; 370	Side pice for tailgate Rap. 205;240;360;370
26	913.1892	Klemwig	Wedge
27	306.0705	Moer M8	Nut M8
	301.0802	Bout M8x25 Rap. 130E	Bolt M8x25 Rap. 130E
28	301.8008	Bout M8x45 Rap. 135 t/m 370	Bolt M8x45 Rap. 135 bis 370
	316.0915	Nord-lock borgring NL16	Nord-lock locking ring NL16
29	301.0836	Bout M16x45 Rap. 130E	Bolt M16x45 Rap. 130E
	301.0761	Bout M16x60 Rap. 135 t/m 370	Bolt M16x60 Rap. 135 bis 370

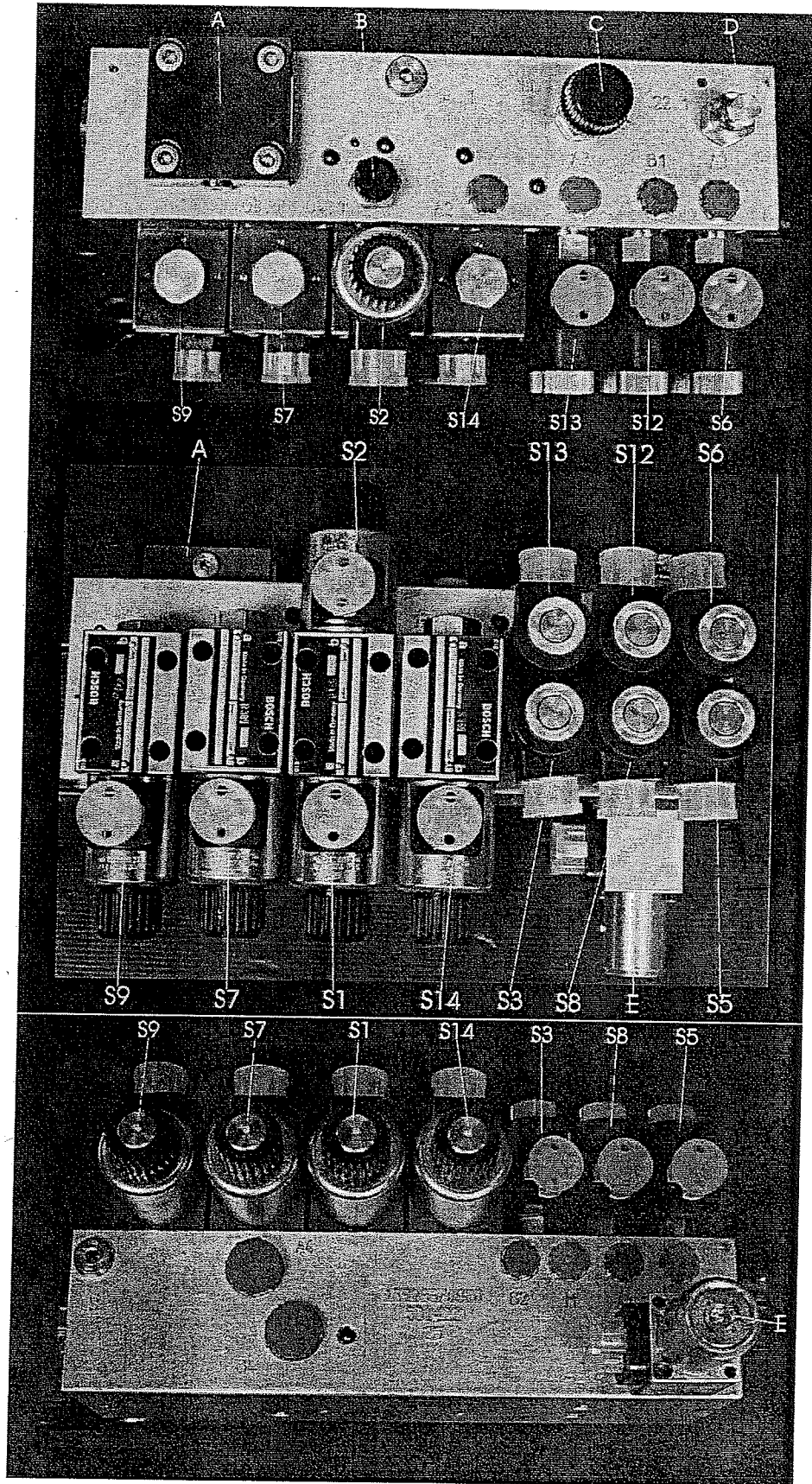


30. HYDRAULIC/ELEKTRICAL OPERATION

30. HYDRAULISCHE/ELEKTRISCHE BEDIENING

<i>Fig.</i>	<i>SR-no.</i>	<i>Omschrijving</i>	<i>Description</i>
1	349.0063	Vleugelknop M8x20	Wing nut M8x20
2	912.0146	Bevestigingsbeugel	Mounting bracket
3	983.0540	Bedieningsunit (incl. 3a t/m f)	Pilot box (incl. 3a up to f)
3a	349.0067	Trillingsdemper	Vibration damper
3b	484.0133	Kontaktblok	Contact block
3c	484.0134	Schakelhandel-vast	Fixed switch lever
3d	484.0135	Schakelhandel-verend	Spring switch lever
3e	484.0132	Beschermhoes	Protective cover
3f	484.0037	Signaallamp-rood	Warning light, red
3g	484.0136	Drukschakelaar-rood	Pressure swithc, red
3h	484.0137	Drukschakelaar-groen	Pressure switch, green
3i	484.0138	Impulsschakelaar "+"	Impuls switch "+"
3j	484.0139	Impulsschakelaar "-"	Impuls switch "-"
3k	484.0144	Chassisdeel met pen 4-polig	Surface-mounted connector 4P
4	484.0602	Verbindingskabel	Connection cable
4a	484.0142	Stekker met pen 4-polig	Straight cable connector 4P
	484.0143	Stekker met pen 4-polig	Straight cable socket 4P
5	484.0607	Voedingsunit	Supply unit
5a	484.0144	Chassisdeel met pen 4-polig	Surface-mounted connector 4P
6	484.0606	Stuurunit	Control unit
7	484.0121	Dichtring GDM 3-16	Sealing ring GDM 3-16
8	484.0122	Schroef M3x35	Screw M3x35
9	484.0059	Connector zwart (incl. 7 en 8)	Connector, black (incl. 7 and 8)
10	484.0060	Connector grijs (incl. 7 en 8)	Connector, grey (incl. 7 and 8)
11	355.0399	Manometer 0-250 bar (incl.12)	Manometer 0-250 Bar (incl.12)
13	961.0881	Montage-steunplaat	Mounting-support plate
14	355.4004	Hydraulisch manifold Bo/LS	Electro-hydraulic manifold Bo/LS
17	969.1146	Manifold-console	Manifold support
18	937.0841	Sluitplaat	Locking plate
19	306.0359	Plaatmoer M8 zelfborgend	Self-locking plate nut M8

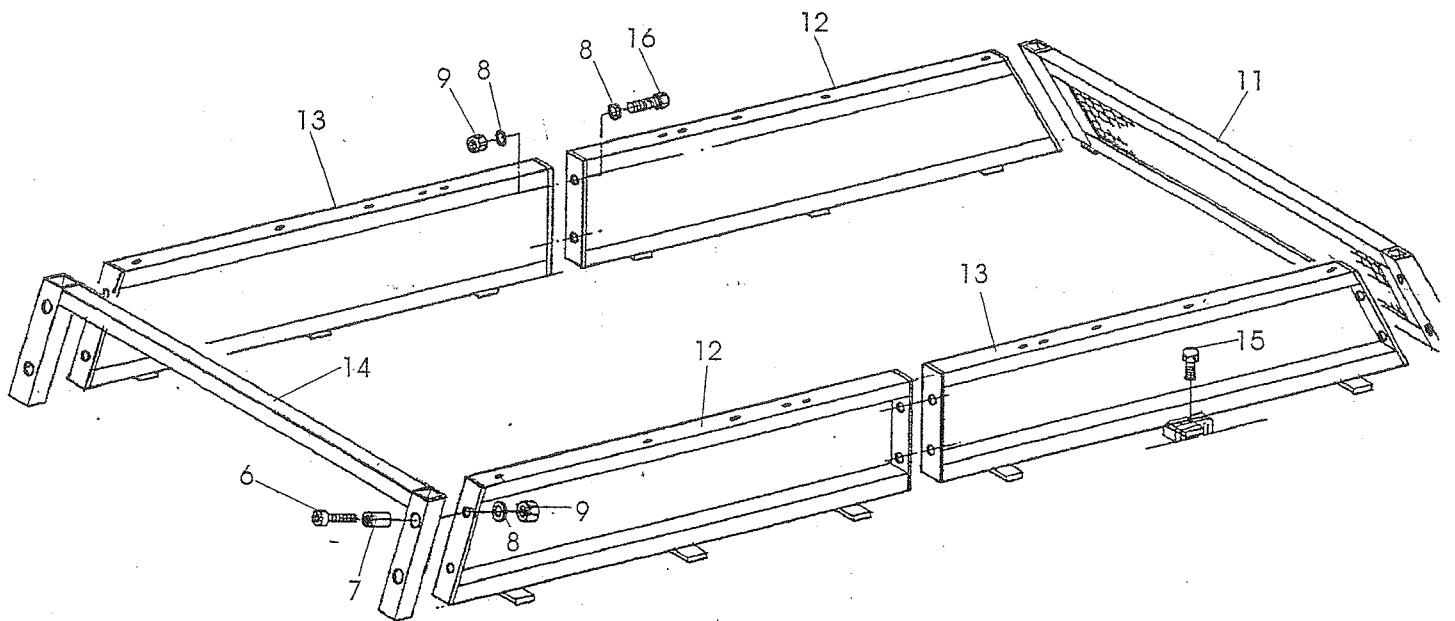
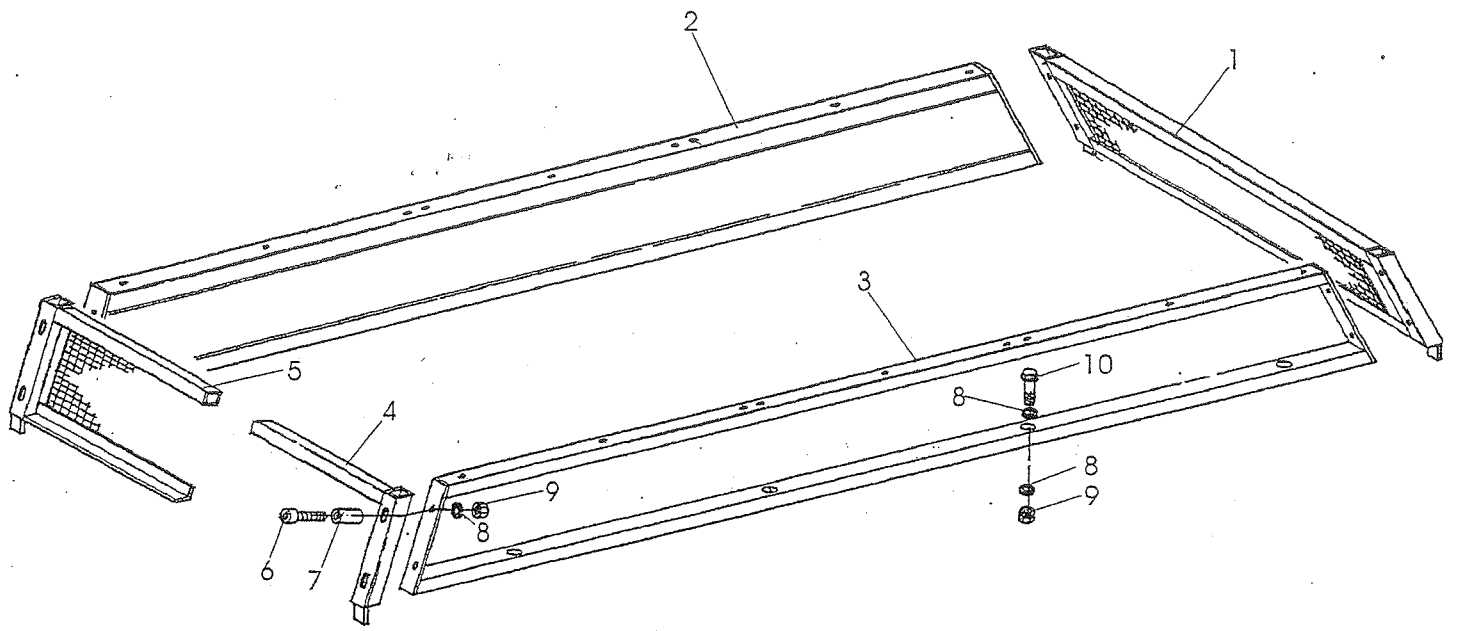
Manifoldblok type S+knikdissel



31. MANIFOLDBLOCK TYPE S

31. MANIFOLDBLOK TYPE S

<i>Fig.</i>	<i>SR-no.</i>	<i>Omschrijving</i>	<i>Description</i>
	355.4004	Hydr manifold Type S+knikdissel	Elektro-Hydraulic Manifold Type S
A	454.0174	Deksel NG 16	Blue plate NG 16
	454.0258	Patroon NG 16 DBV (onder Deksel)	Cartridge NG 16 DBV (behind blue plated)
B	454.0250	Smoring instelbaar (LS-knopje)	Throttle valve adjustable (LS-knob)
C	454.0252	Drukregelventiel "messendruk"	Pressure regulating valve "Knife pressure")
D	454.0254	Drukregelventiel achterklep (90bar)	Pressure regulating valve Tailgate (90bar)
E	355.0624	Druksensor achterklep (120bar)	Pressure sensor Tailgate (120bar)
	302.0037	Cilinderkopbout M5x70 (t.b.v. druksensor)	Cylinder bolt M5x70 (for Pressure sensor)
S1+S2	454.0106	4/3 ventiel 12V=SB 00	4/3 Valve 12V=SB 00
S3	355.0830	2/2 patroon "Messenbalk in"	2/2 Cartridge "Cutter bar in"
S5	355.0830	2/2 patroon "Achterklep dicht"	2/2 Cartridge "Tailgate closed"
S6	355.0830	2/2 patroon "Achterklep open"	2/2 Cartridge "Tailgate open"
S7	454.0270	4/2 ventiel "Bodenketting lossen"	4/2 Valve "Deck chain unloading"
S8	355.0830	2/2 patroon "Pick-up onhoog"	2/2 Cartridge "Pick-up up"
S9	454.0171	4/2 ventiel "Voorschakel ventiel"	4/2 Valve "Main valve"
S12	355.0830	2/2 patroon "Pick-up zakken"	2/2 Cartridge "Pick-up down"
S13	355.0830	2/2 patroon "Knikdissel"	2/2 Cartridge "Track-following drawbar"
S14	454.0270	4/2 ventiel "Messenbalk in/uit"	4/2 Valve "Knife bar in/out"
	302.0026	Cilinderkopbout M5x30 (t.b.v. ventielen)	Cylinder bolt M5x30 (for valves)
	454.0102	Magneet (t.b.v. ventielen)	Magnet coil (for valves)
	454.0190	O-ring tussen ventiel en Alu.blok	O-ring between valves and Alu.block

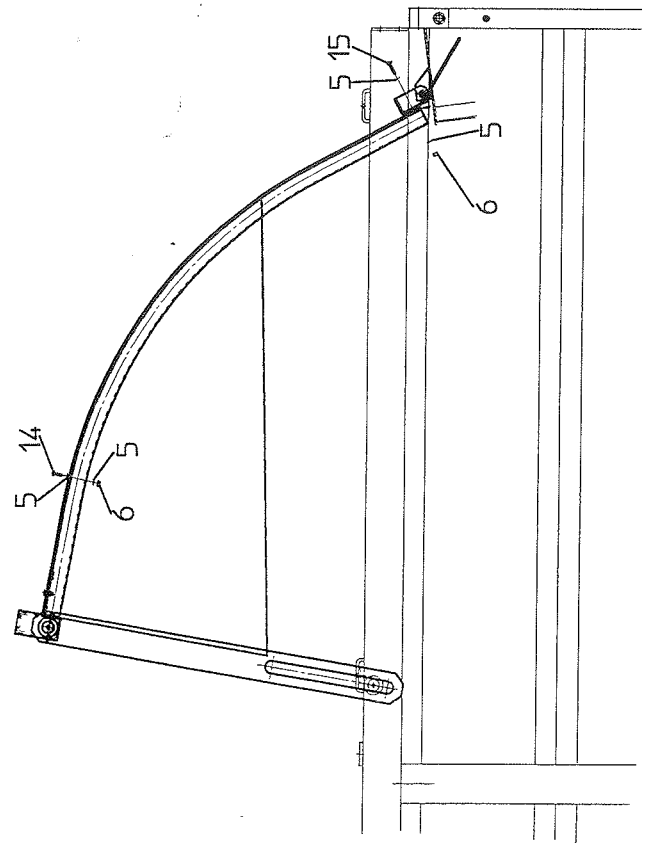
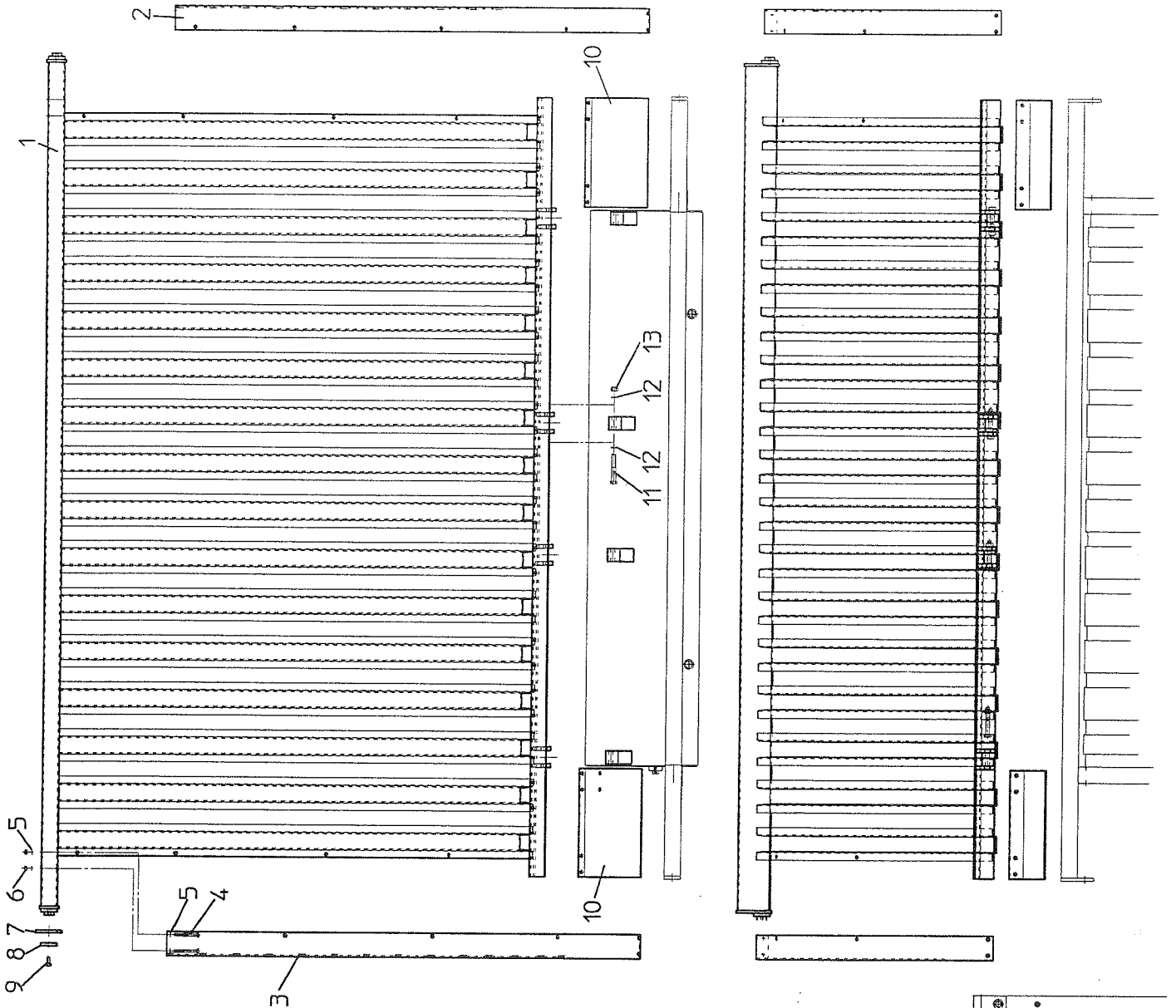


32. STEEL CONSTRUCTION AS WINDCOVER

32. STAALOPBOUW ALS WINDKAP

Drawing no. : 975.0034

<i>Fig.</i>	<i>SR-no.</i>	<i>Omschrijving</i>	<i>Description</i>
-	994.0630	Windkap Rapide 130E	Wind cover steel Rapide 130E
	994.0425	Windkap Rapide 135	Wind cover steel Rapide 135
	994.0631	Windkap Rapide 165	Wind cover steel Rapide 165
	994.0632	Windkap Rapide 205	Wind cover steel Rapide 205
	994.0718	Windkap Rapide 240	Wind cover steel Rapide 240
	994.3205	Windkap Rapide 360	Wind cover steel Rapide 360
	994.3120	Windkap Rapide 370	Wind cover steel Rapide 370
1	967.0915	Voorstuk met gaas Rap. 130E	Front part gauze Rapide 130E
2	969.0255	Zijstuk-Li. Rap.130E	Side pice-Li. Rap. 130E
3	969.0256	Zijstuk-Re. Rap.130E	Side pice-Re. Rap. 130E
4	967.0576	Achterbeugel Rap. 130E	Rear bracket Rap. 130E
6	302.0603	Cilinderkopbout M10x60	Cylinder head bolt M10x60
7	925.0393	Buisje L37	Bush L37
8	316.0705	Sluitring A10,5	Washer A10,5
9	306.0306	Borgmoer M10	Locking nut M10
11	967.0916	Voorstuk met gaas Rap. 135; 165; 205; 360	Front part gauze Rap. 135; 165; 205; 360
	969.1391	Voorstuk met gaas Rap. 240; 370	Front part gauze Rap. 240; 370
12	961.0569	Zijstuk-RH Rap. 135	Side pice-RH Rap. 135
	961.0575	Zijstuk-RH Rap. 165	Side pice-RH Rap. 165
	961.0577	Zijstuk-RH Rap. 205; 240	Side pice-RH Rap. 205; 240
	969.2587	Zijstuk-RH Rap. 360; 370	Side pice-RH Rap. 360; 370
13	961.0568	Zijstuk-LH Rap. 135	Side-pice LH Rap. 135
	961.0574	Zijstuk-LH Rap. 165	Side-pice LH Rap. 165
	961.0576	Zijstuk-LH Rap. 205; 240	Side-pice LH Rap. 205; 240
	969.2586	Zijstuk-LH Rap. 360; 370	Side-pice LH Rap. 360; 370
14	961.0274	Achterbeugel Rap. 135; 165; 205; 360	Rear bracket Rap. 135; 165; 205; 360
	961.0311	Achterbeugel Rap. 240; 370	Rear bracket Rap. 240; 370
15	301.0805	Bout M10x25	Bolt M10x25
16	301.0811	Bout M10x30	Bolt M10x30



33. Guide board on windcover

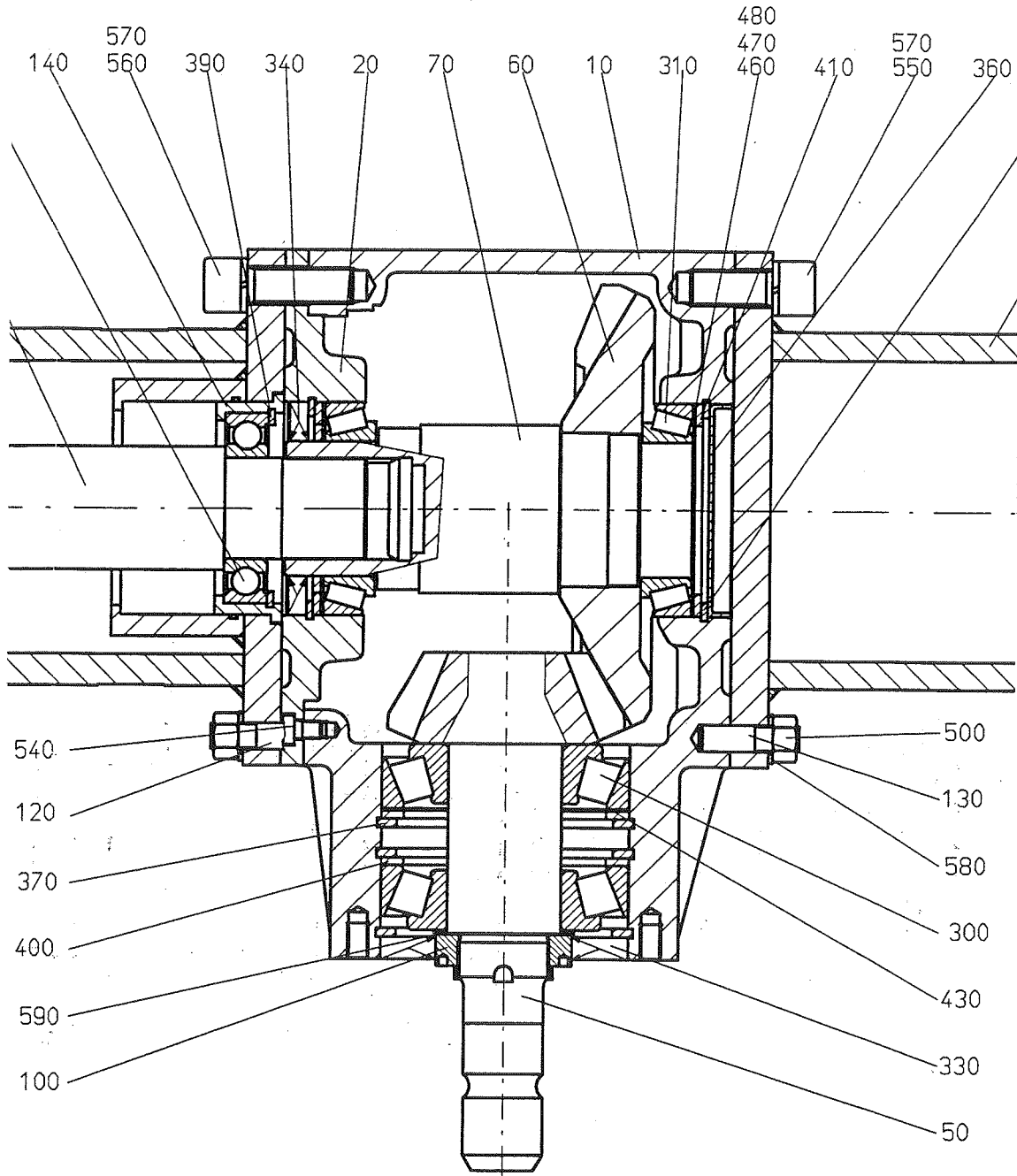
33. GELEIDEBORD OP WINDKAP

Drawing no. : 975.0044

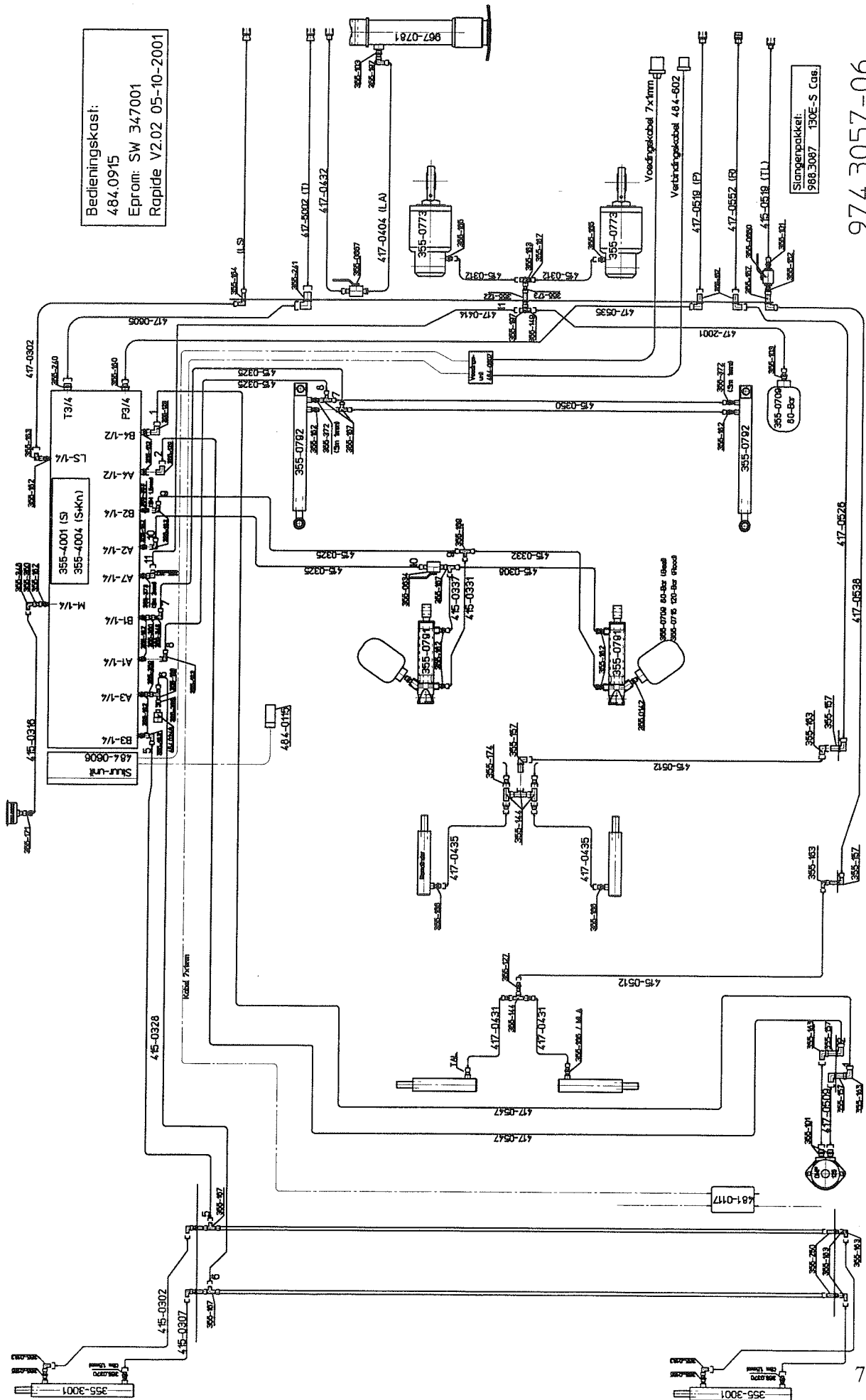
<i>Fig.</i>	<i>SR-no.</i>	<i>Omschrijving</i>	<i>Description</i>
-	994.3123	Geleidebord cpl. Rap. 130E	Guide board cpl. Rap. 130E
	994.3121	Geleidebord cpl. Rap. 135; 165; 205; 360	Guide board cpl. Rap. 135; 165; 205; 360
	994.3122	Geleidebord cpl. Rap. 240; 340	Guide board cpl. Rap. 240; 340
1	969.2564	Geleidebord Rap. 130E	Guide board Rap. 130E
	969.2535	Geleidebord Rap. 135; 165; 205; 360	Guide board Rap. 135; 165; 205; 360
	969.2538	Geleidebord Rap. 240; 370	Guide board Rap. 240; 370
2	969.2565	Zijplaat Li. Rap. 130E	Side plate Li. Rap. 130E
	969.2536	Zijplaat Li. Rap. 135; 165; 205; 360	Side plate Li. Rap. 135; 165; 205; 360
	969.2539	Zijplaat Li. Rap. 240; 370	Side plate Li. Rap. 240; 370
3	969.2566	Zijplaat Re. Rap. 130E	Side plate Re. Rap. 130E
	969.2537	Zijplaat Re. Rap. 135; 165; 205; 360	Side plate Re. Rap. 135; 165; 205; 360
	969.2540	Zijplaat Re. Rap. 240; 370	Side plate Re. Rap. 240; 370
4	301.0730	Bout M8x70	Bolt M8x70
5	316.0703	Sluitring A8,4	Washer A8,4
6	306.0312	Borgmoer M8	Locking nut M8
7	913.0601	Trekstrip	Tension member
8	934.0149	Sluitring 50/11-8	Washer 50/11-8
9	301.0809	Bout M10x20	Bolt M10x20
10	937.1941	Afdichtplaat Rap. 130E	Seal plate Rap. 130E
	937.1898	Afdichtplaat	Seal plate
11	301.0754	Bout M12x90	Bolt M12x90
12	316.0702	Sluitring A13	Washer A13
13	306.0302	Borgmoer M13	Locking nut M12
14	301.0806	Bout M8x20	Bolt M8x20
15	301.0835	Bout M8x30	Bolt M8x30

34. GEAR BOX WG-1000 13>28 351.0084

34. TANDWIELKAST WG-1000 13>28 351.0084



36. HYDRAULIC SYSTEM RAPIDE 130E

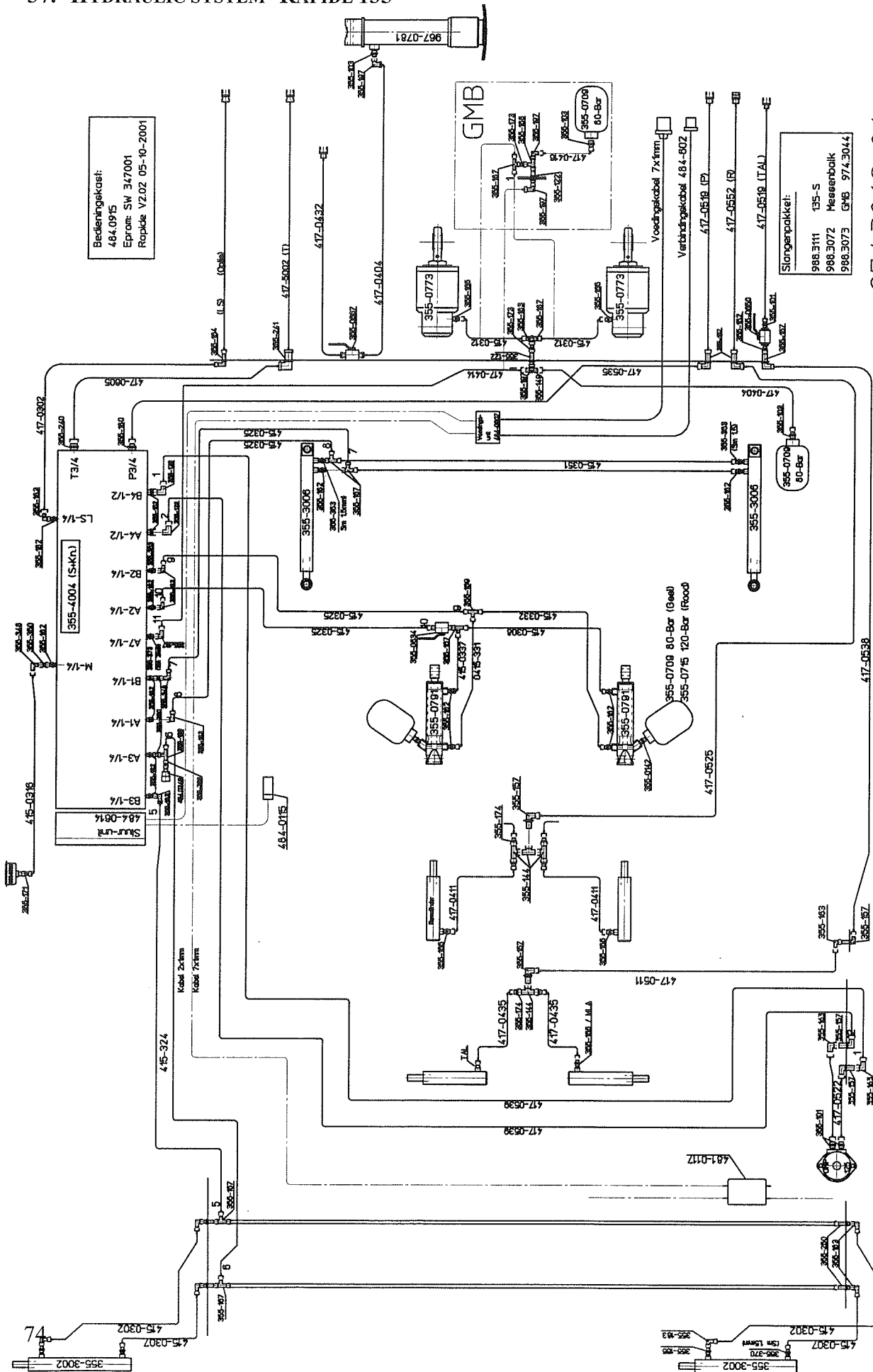


Bedieningskast:
484.0915
Eptom: SW 347001
Rapide V2.02 05-10-2001

Slangenpakket:
986.3087 130E-S Cab.

974.3057-06

37. HYDRAULIC SYSTEM RAPIDE 135

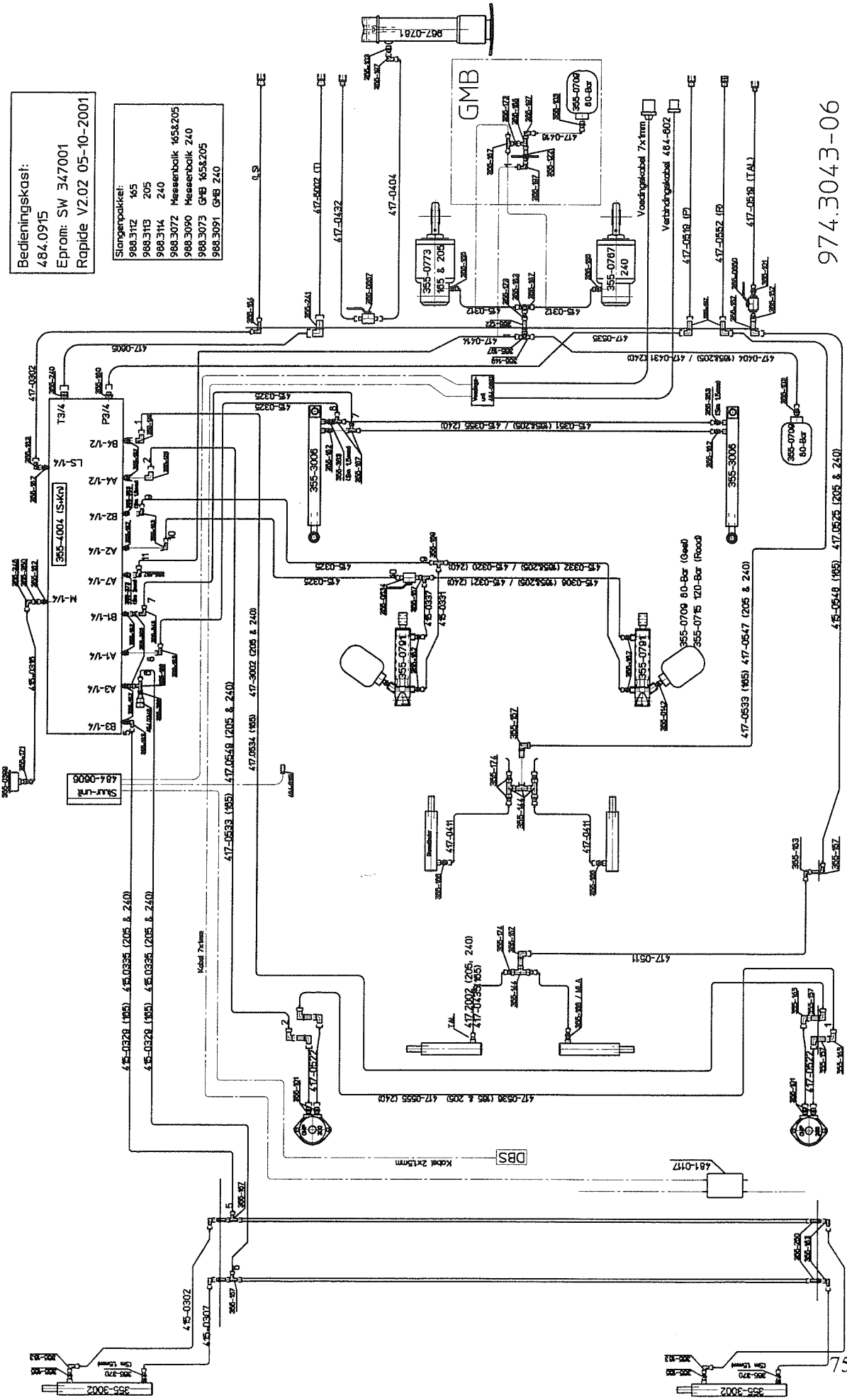


Bedieningskast:
484.0915
Epron: SW 347001
Rapide V2.02 05-10-2001

Slangenpakket:
988.3111 135-S
988.3072 Hesenblok
988.3073 GMB 974.3044

974.3062-06

38. HYDRAULIC SYSTEM RAPIDE 165; 205; 240



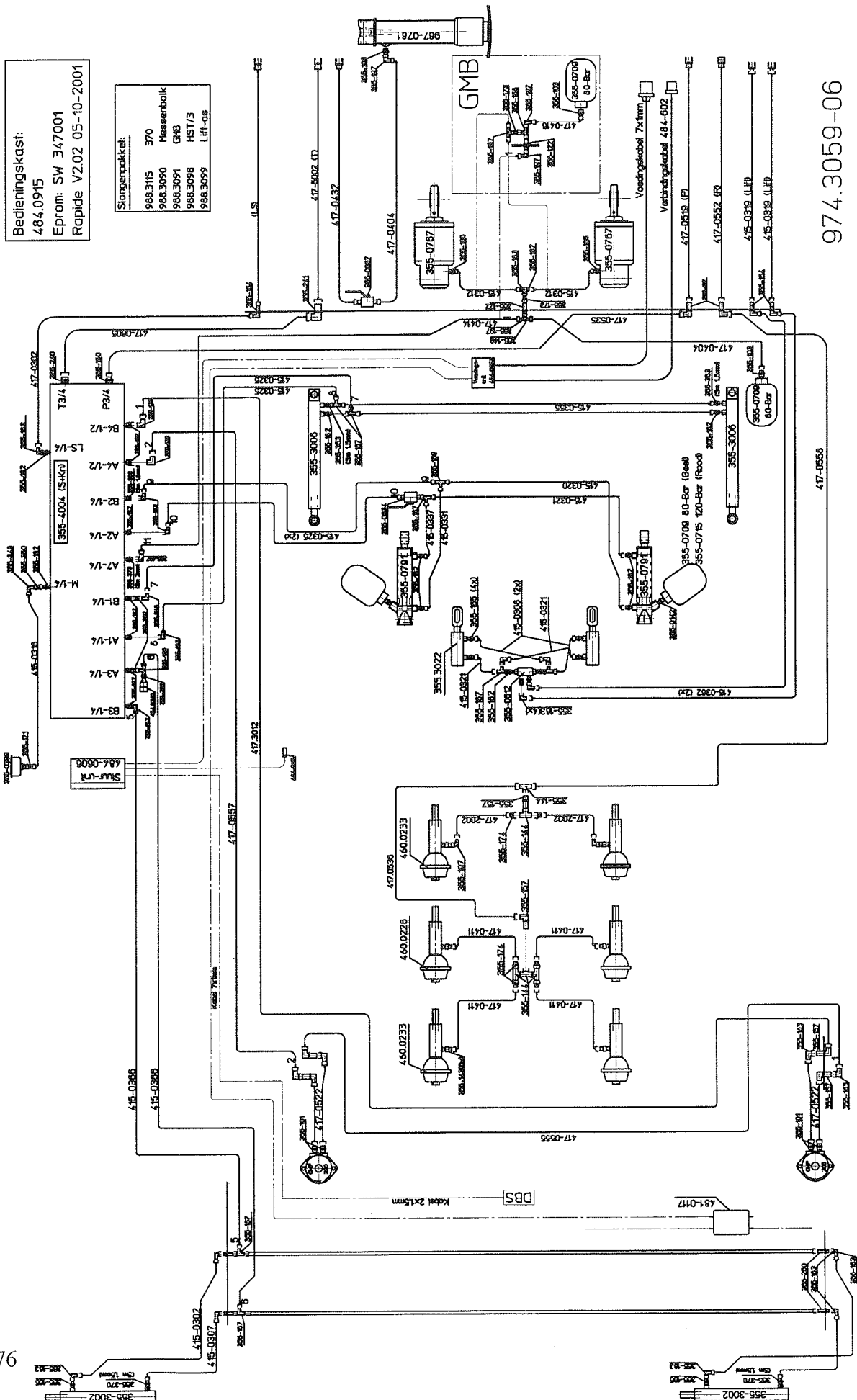
Bedieningskast:
484.0915
Eptrom: SW 347001
Rapide V2.02 05-10-2001

Slangenpakket:
988.3112 165
988.3113 205
988.3114 240
988.3072 Messerbalk 165&205
988.3090 Messerbalk 240
988.3073 GMB 165&205
988.3091 GMB 240

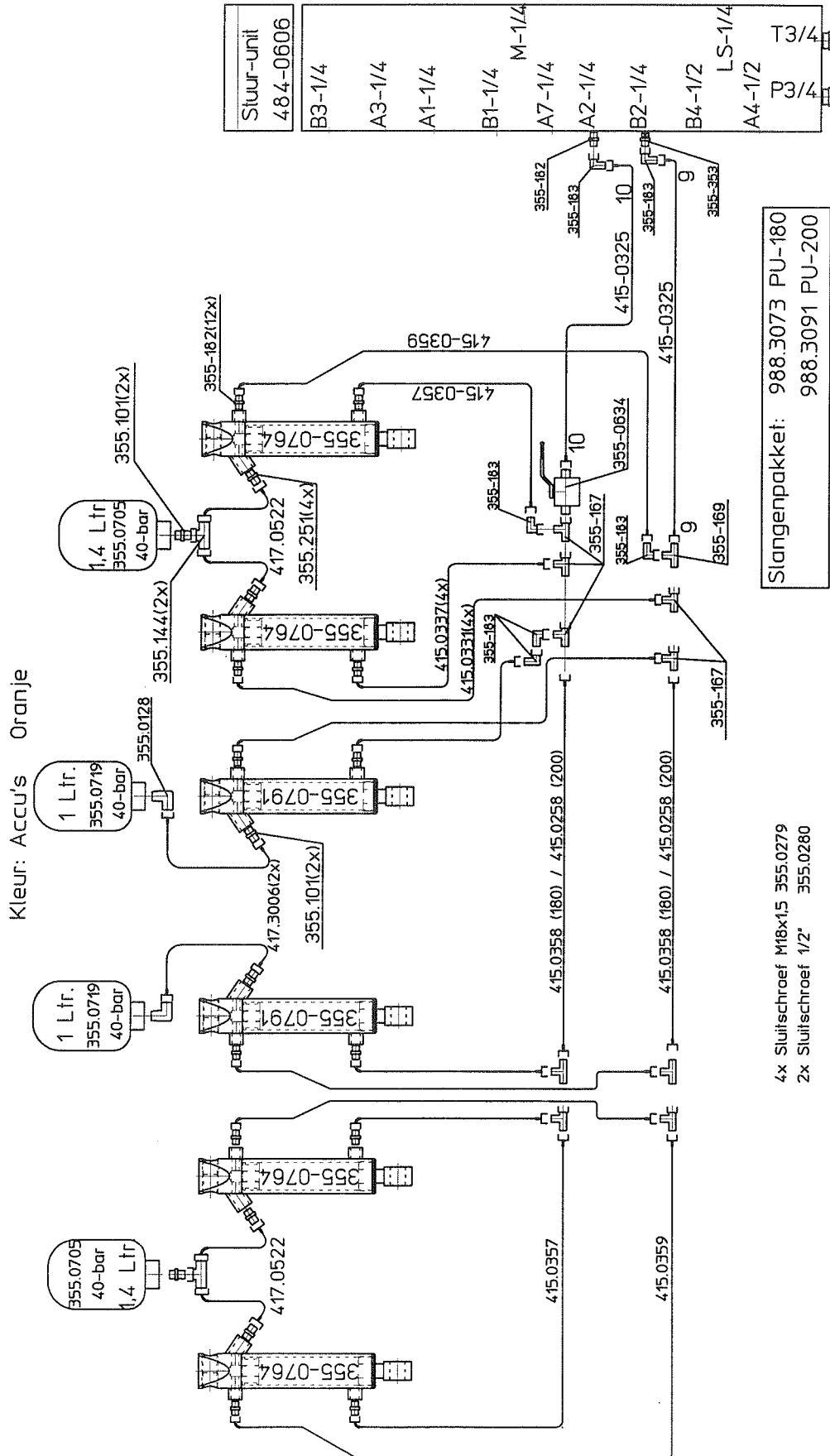
974.3043-06

415-0548 (165) 417-0525 (205 & 240)

39. HYDRAULIC SYSTEM RAPIDE 360 AND 370

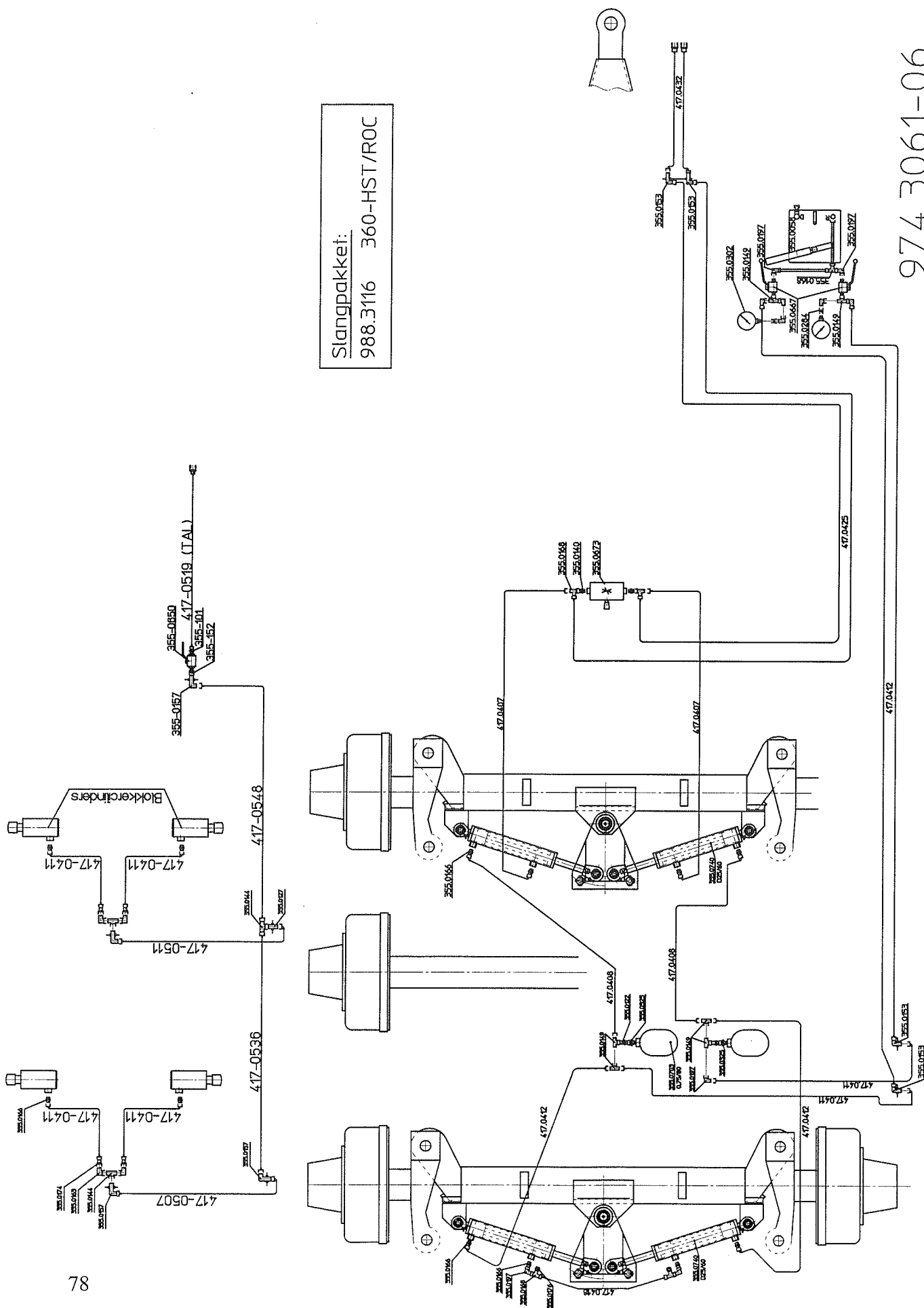


40. HYDRAULIC SYSTEM RAPIDE GMB 974.3044



974.3044-06

41. HYDRAULIC SYSTEM WHEEL STEERAGE RAPIDE 360



Slangpakket:
988.3116 360-HST/ROC

974.3061-06

